

Aspect™ 100UCPLUS Specifications

Table dimensions and components:

- Carbon fiber tabletop with low x-ray attenuation
- 2" (5 cm) thick tabletop pad and tabletop extension pad with memory foam construction
- Tabletop: 28"W x 46"L (71 x 117 cm)
- Radiolucent, lightweight tabletop extension: 24"W x 34"L (61 x 86 cm)
- Built-in footswitch storage tray
- Removable radiographic cassette tray, loads from either side of table
- Standard US side-rails for accessory attachments on main tabletop
- Metal-free perineal end of tabletop for unobstructed fluoroscopy access to edge of table
- Locking swivel casters, 5" (12.7 cm), and built-in transport handle

Table movements:

- Motorized motions via hand control pendant and foot switch control
- Elevation: 31.3" – 41.1" (79.4 – 104.4 cm)
- Trendelenburg Tilt: ± 15°
- Longitudinal tabletop travel: 10" (25.4 cm)
- Transverse tabletop travel: ± 3.5", 7" total (± 8.9 cm, 17.8 cm total)

Imaging area:

- Imaging area, main tabletop: 25"W x 20"L (63.5 x 50.8 cm)
- Imaging area, tabletop extension: 24"W x 34"L (61 x 86 cm)
- Total radiolucent imaging area length with extension: 54" (137 cm)

Patient weight capacity:

- With patient upper body on main tabletop: 525 lbs. (238 kg)
- With patient upper body on extension: 400 lbs. (181 kg)
- Load capacity on extension only: 200 lbs. (90.7 kg)

Electrical:

- 110 VAC, 60 Hz operation (230 VAC operation optional). ≤10 amp @ 110V.

Table & Extension Weight:

- Table: 670 lbs. (304 kg)
- Tabletop Extension: 16 lbs. (7.25 kg)

Accessories included:

- Tabletop Pad, 2" thick
- Tabletop Extension, with 2" thick pad
- Hand control pendant & footswitch control
- Removable Drain Bag Support Hoop
- Disposable drain bag and hose ass'y, box of 20
- Removable Radiation Shield Flap for perineal end of table
- Patient Restraint Straps (2)
- Armboard, rail mounted, with pad and strap
- Disposable covers for footswitch, box of 50

Optional Accessories (not included in standard accessory package):

- Urologist elbow supports, removable
- Boot-style legholders with pneumatic-assist adjustment.

Note: Table compatible with other legholders that have standard US side-rail attachment.



Certifications: ETL listed to U: L 2601-1,
UL 60601-1, EN 60601-1, IEC 60601-2-32,
IEC 60601-2-46 certification

D000-516E

Aspect™ 100UCPLUS

Imaging table for urology *and* multi-purpose use



Shown with optional accessories



idi
Image Diagnostics, Inc.
Safety, Simplicity, Quality

Image Diagnostics

Since 1986, IDI has been a manufacturer of innovative products for surgical, interventional and diagnostic imaging.

Our product focus is in electro-mechanical solutions for fluoroscopic and digital radiographic applications.

IDI is committed to superior product design, value and customer support in everything we do.

Image Diagnostics, Inc.
310 Authority Drive
Fitchburg, MA, 01420
USA
Tel: 978-829-0009
Fax: 978-829-0027
www.imagediagnostics.com

Aspect™ 100UCPLUS

Patient Access & Comfort

The Aspect 100UCPlus provides a very large radiolucent imaging area for easy C-arm access and greater anatomical coverage. A 28" wide tabletop and 2" thick, specially constructed tabletop pad provide for minimal x-ray attenuation and maximum patient comfort.

Clinical Versatility

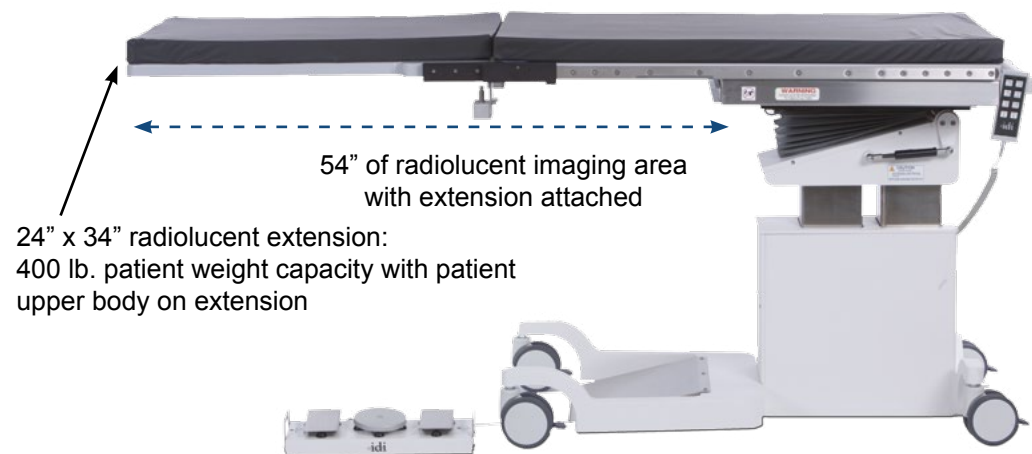
Urological accessories are easily removable so the table can be quickly configured for multi-purpose C-arm imaging or general patient positioning for non-urological procedures.

A removable radiographic cassette tray provides KUB radiography compatibility with mobile x-ray machines, including both conventional film/grid systems and digital detectors.

For endourology

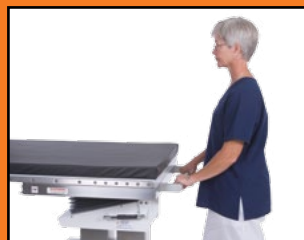


...and multipurpose use



Metal-free perineal end of table: unobstructed imaging access to edge of tabletop.

Shown with optional accessories



Built-in transport handle

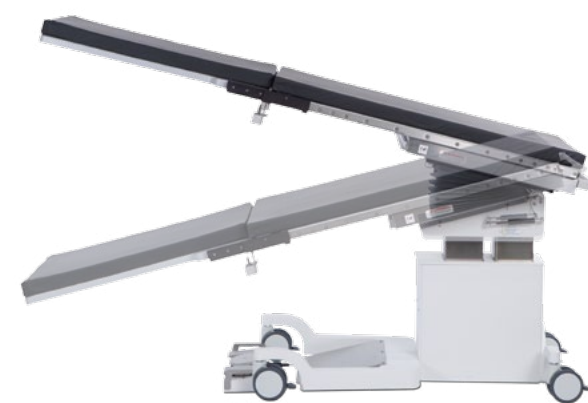


Built-in footswitch storage tray

Motorized elevation, trendelenburg tilt and 4-way tabletop movement



Lightweight, radiolucent tabletop extension



Trendelenburg: $\pm 15^\circ$



Longitudinal tabletop travel: 10"



Transverse travel: $\pm 3.5"$, 7" total

Shown with optional accessories

Standard Accessories



Removable, collapsible drain bag support (elbow rests are optional)



Removable lead-vinyl x-ray shield



Pendant hand control and footswitch control



Quick-release armboard



Removable radiographic cassette tray: loads from either side of table. Accepts cassette with grid cap or mobile DR detector.