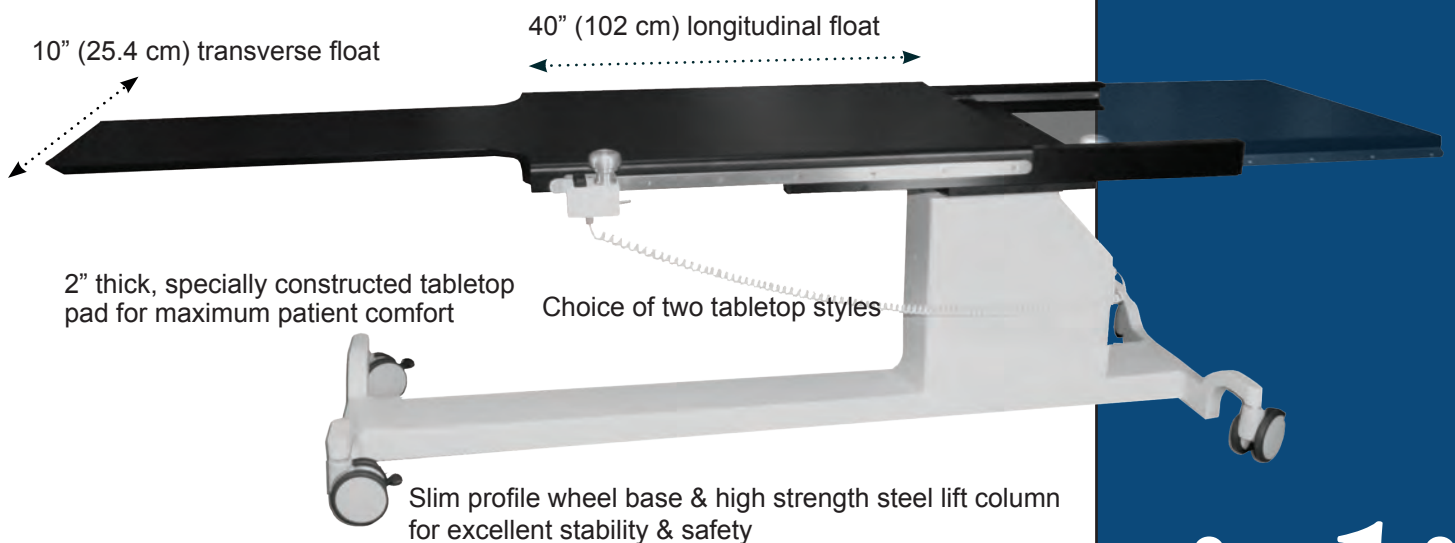
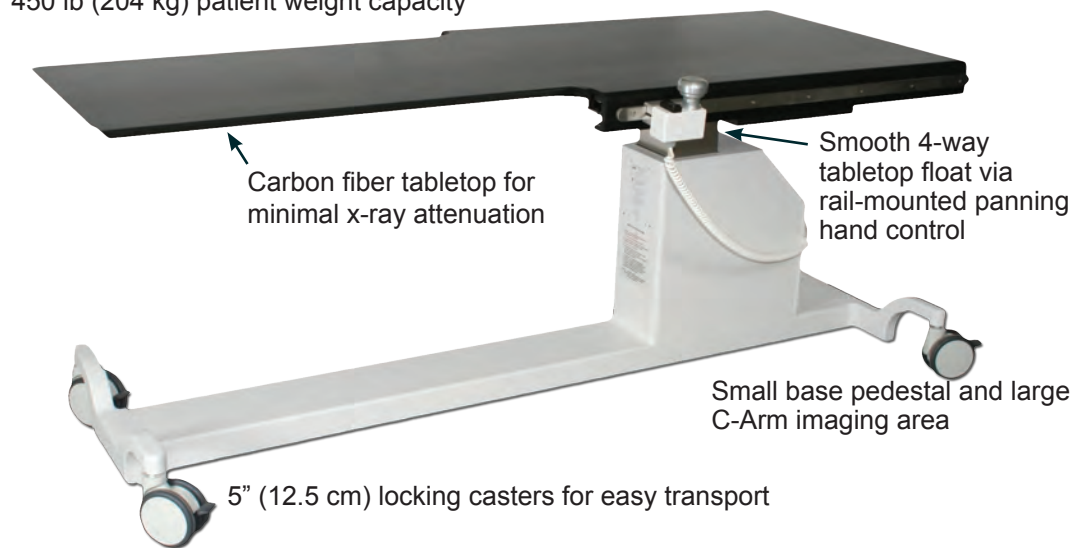


# Aspect™ 100-4 Fluoroscopy Procedure Table

with motorized elevation and 4-way manual tabletop float

450 lb (204 kg) patient weight capacity



idi

Image Diagnostics, Inc.  
Safety, Simplicity, Quality

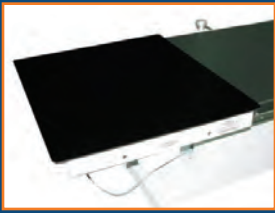
## Optional Accessories



Table mounted radiation shield



VAB radiolucent arm board



Catheter tray extension

## Image Diagnostics

Since 1986, IDI has been a manufacturer of innovative products for surgical, interventional and diagnostic imaging.

Our product focus is in electro-mechanical solutions for fluoroscopic and digital radiographic applications.

IDI is committed to superior product design, value and customer support in everything we do.

**Image Diagnostics, Inc.**  
310 Authority Drive  
Fitchburg, MA, 01420 USA  
Tel: 978-829-0009  
Fax: 978-829-0027  
[www.imagediagnostics.com](http://www.imagediagnostics.com)

## Aspect™ 100-4 Specifications

### General:

- Carbon fiber tabletop with low x-ray attenuation
- 2" thick tabletop pad with memory foam construction
- Rail-mounted panning hand control for elevation and 4-way float functions
- 5" (12.57 cm) locking swivel casters

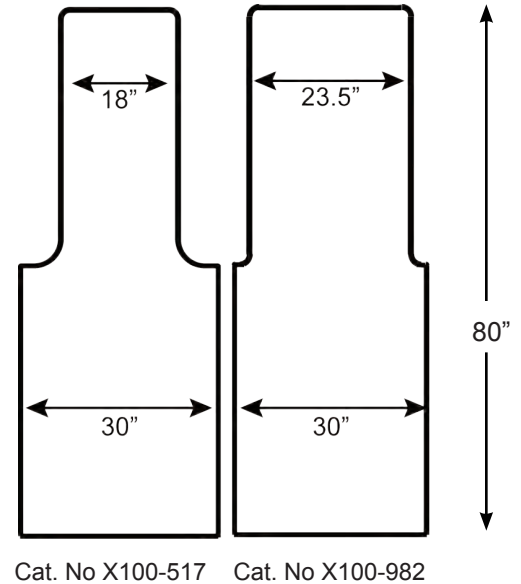
### Table dimensions:

Choice of two tabletops:

- Contoured, 23.5" / 30" x 80"  
(59 cm / 76 cm x 203 cm)
- Contoured, 18" / 30" x 80"  
(46 cm / 76 cm x 203 cm)

### Tabletop movements:

- 72" (182.9 cm) unobstructed imaging area at maximum longitudinal float
- Motorized Elevation 27.9" – 37.7"  
(71 – 95.8 cm)
- 4-way manual floating table to with panning hand control
- Longitudinal tablet float 40"  
(101.6 cm)
- Transverse tabletop float 10"  
(25.4 cm)



### Electrical:

- 110 VAC, 60 Hz operation (230 VAC operation optional).  
≤10 amp @ 110V.
- Battery back-up operation

### Table weight capacity:

- 450 lbs. (204 kg)

### Table weight:

- 490 lbs (222 kg)

### Accessories included:

- Tabletop Pad & Patient Restraint Straps

### Optional Accessories (not included in standard accessory package):

- Table mounted radiation shield
- Radiolucent arm boards
- Catheter Tray Extension



Certifications: ETL listed to U: L 2601-1, CAN/CSA C22.2 No. 601.1-M90, EN 60601-1, IEC 60601-2-32.  
Made in USA. Technical specifications subject to change.