

ID1240

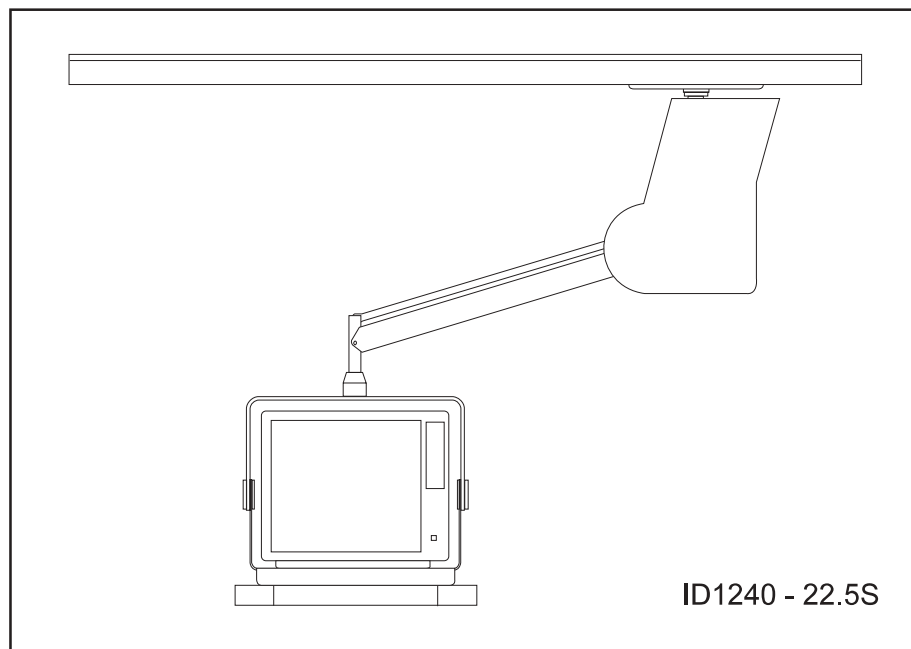
PRODUCT DATA

Package Includes:

- Two 8'-10" anodized aluminum ceiling rails, clip-mounted
- Mobile gantry
- Counterbalanced arm: 36" sweep radius; 25" vertical travel; $\pm 180^\circ$ rotation
- Dual-axis monitor mount: $\pm 10^\circ$ tilt; $\pm 180^\circ$ rotation
- Tray capacities: 16.75", 20", 22.5" wide x 18" or 21" high x 70#
- Hardened epoxy enamel painted surface

Enhancements:

- 13' - 4" or 17' - 8" ceiling rails
- X-Y rail adapter with 6' - 8" bridge rails
- Tray capacity: 34.5", 41" wide x 18" or 21" high x 140#
- Bi-level tray capacity: 22.5" x 18" or 21" high x 140#
- Cable carrier kits



ID1240 Monitor Suspension Systems

The ID1240 provides unlimited flexibility in monitor positioning during radiological procedures. The system features a rotating counterbalanced arm with vertical travel and internal cable routing. A dual-axis mount with adjustable clutches expands viewing angle options. Motions are manually controlled.

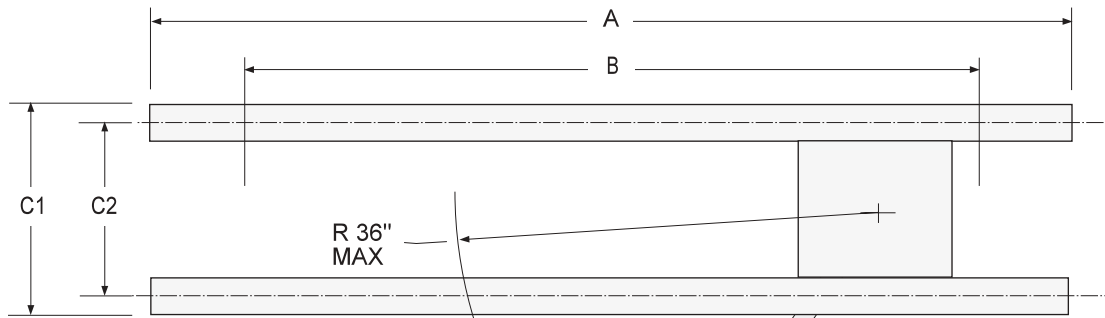
The mobile suspension includes 8'-10" clip-mounted ceiling rails, which eliminate the need for measuring and drilling, reducing installation time and effort. The ID1240 is highly versatile and easily integrated to existing systems.

Enhancements include: extended length ceiling rails, X-Y bridge systems, cable carrier kits, and a full-range of monitor mount sizes.

ID1240 Mobile Track-mounted Suspension Systems

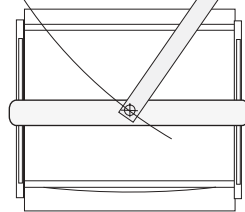
ID1240-16.75S/L	16.75"w x 18" or 21"h tray	x 70# capacity
ID1240-20S/L	20.00"w x 18" or 21"h tray	x 70# capacity
ID1240-22.5S/L	22.50"w x 18" or 21"h tray	x 70# capacity
ID1240-34.5S/L	34.50"w x 18" or 21"h tray	x 140# capacity
ID1240-41S/L	41.00"w x 18" or 21"h tray	x 140# capacity
ID1240-22.5BS	22.50"w x 21" / 18"h bi-level	x 140# capacity
ID1240-22.5BL	22.50"w x 21" / 21"h bi-level	x 140# capacity

ID1240 Monitor Suspension Systems



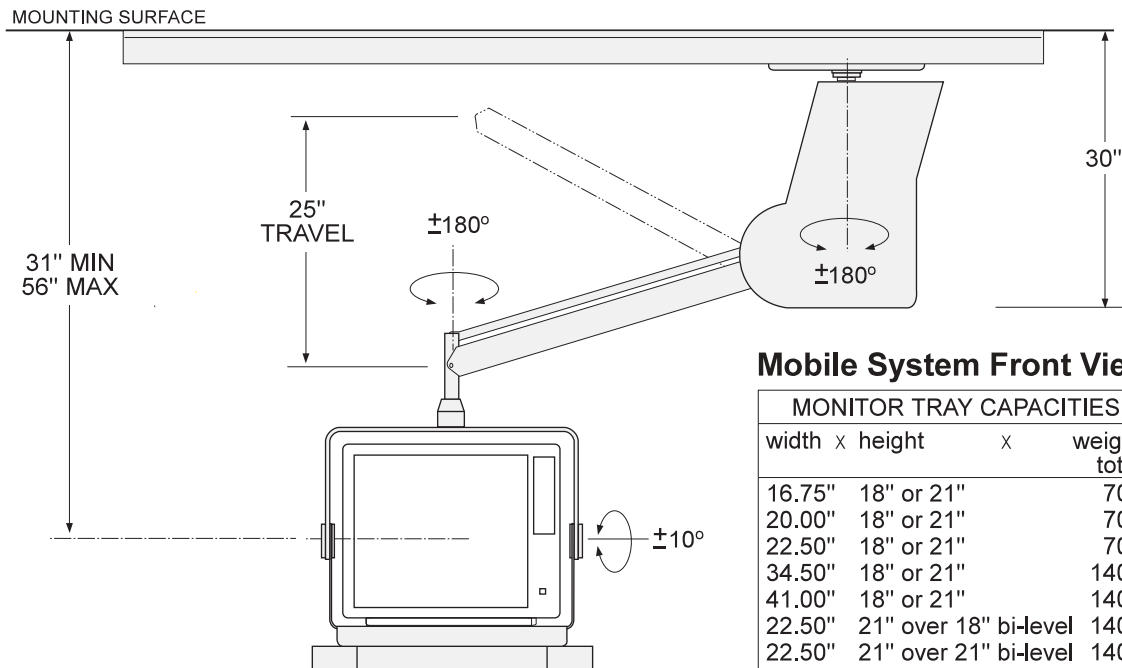
Mobile System Plan View

A - Rail Length	B - Carriage Travel	C - Carriage Mount Spacing
8' - 10"	7' - 2"	C1 Standard: Rail Flange 17.12"
13' - 4"	11' - 8"	C2 Alternate: Rail Center 14.38"
17' - 8"	16' - 0"	



Also available:
FIXED SYSTEM

Mounting Hole Pattern
14.38" long x 6" wide



Mobile System Front View

MONITOR TRAY CAPACITIES		
width	x height	x weight total
16.75"	18" or 21"	70#
20.00"	18" or 21"	70#
22.50"	18" or 21"	70#
34.50"	18" or 21"	140#
41.00"	18" or 21"	140#
22.50"	21" over 18" bi-level	140#
22.50"	21" over 21" bi-level	140#