

ID2230

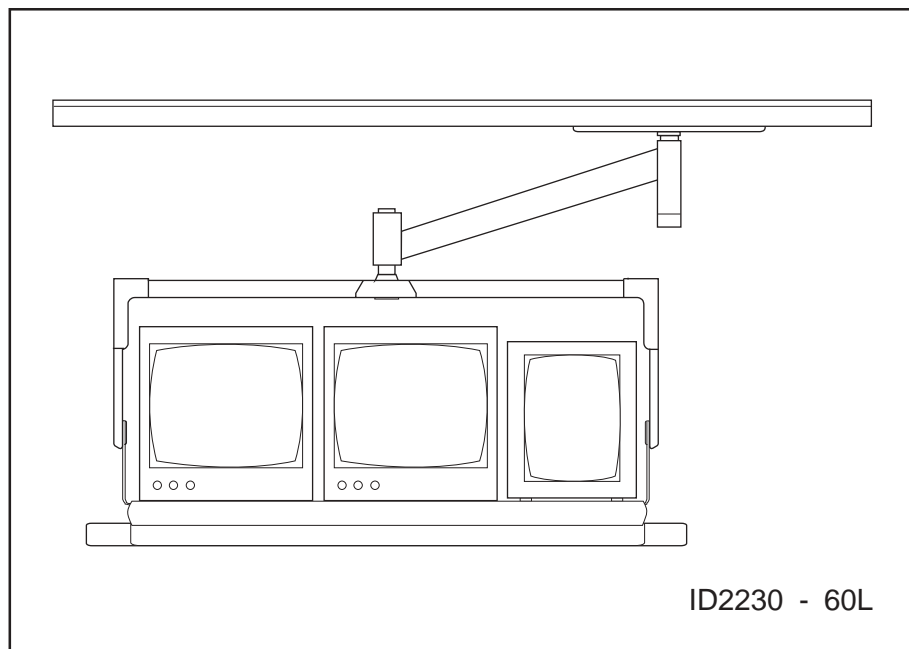
PRODUCT DATA

Package Includes:

- Two 8'-10" anodized aluminum ceiling rails, clip-mounted
- Mobile gantry
- Fixed height swing arm; 32" sweep radius; $\pm 180^\circ$ rotation
- Dual-axis monitor mount; $\pm 10^\circ$ tilt; $\pm 180^\circ$ rotation
- Tray capacity: 60" wide x 21" high x 210#
- Hardened epoxy enamel painted surface

Enhancements:

- 13' - 4" or 17' - 8" ceiling rails
- X-Y adapter with 6' - 8" bridge rails
- Tray capacity: 41" wide x 140#
- Bi-level tray capacity: 41" wide x 280#
- Cable carrier kits



ID2230 Monitor Suspension Systems

The ID2230 provides flexibility in monitor positioning during vascular lab applications. It features a fixed height, rotating swing arm. The dual-axis monitor mount is equipped with adjustable clutches for positioning ease. Motions are manually controlled. Cable is routed internally through the swing arm.

The mobile suspension includes 8'-10" clip-mounted ceiling rails. Clip-mounted rails eliminate the need for measuring and drilling, reducing installation time and effort. The ID2230 is easily integrated to existing systems.

Enhancements include: extended length ceiling rails, X-Y bridge systems, cable carrier kits, and various size monitor mounts.

ID2230 Mobile Track-mounted Suspension Systems

ID2230-60L	60"w x 21"h tray	x 210# capacity
ID2230-41S	41"w x 18"h tray	x 140# capacity
ID2230-41L	41"w x 21"h tray	x 140# capacity
ID2230-41BS	41"w x 21"/18"h bi-level	x 280# capacity
ID2230-41BL	41"w x 21"/21"h bi-level	x 280# capacity

ID 2230 Monitor Suspension Systems

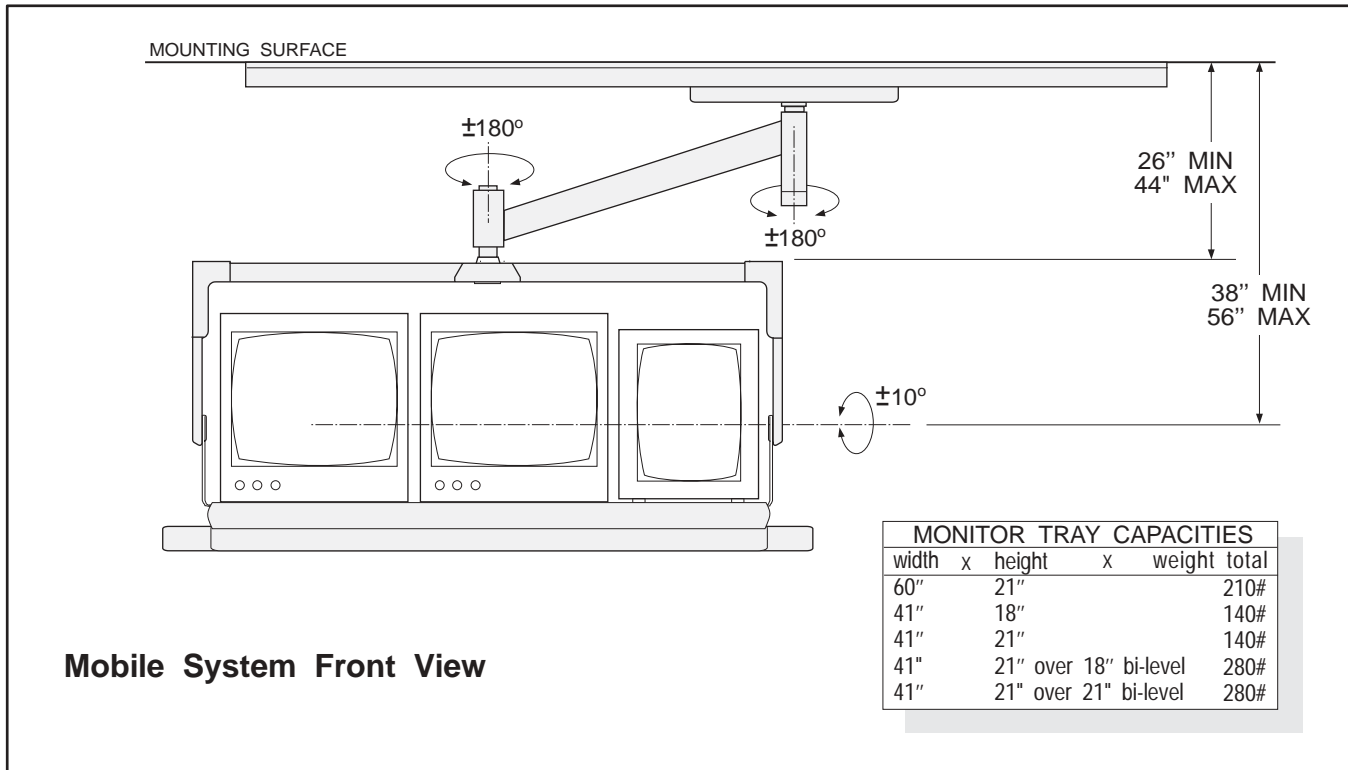
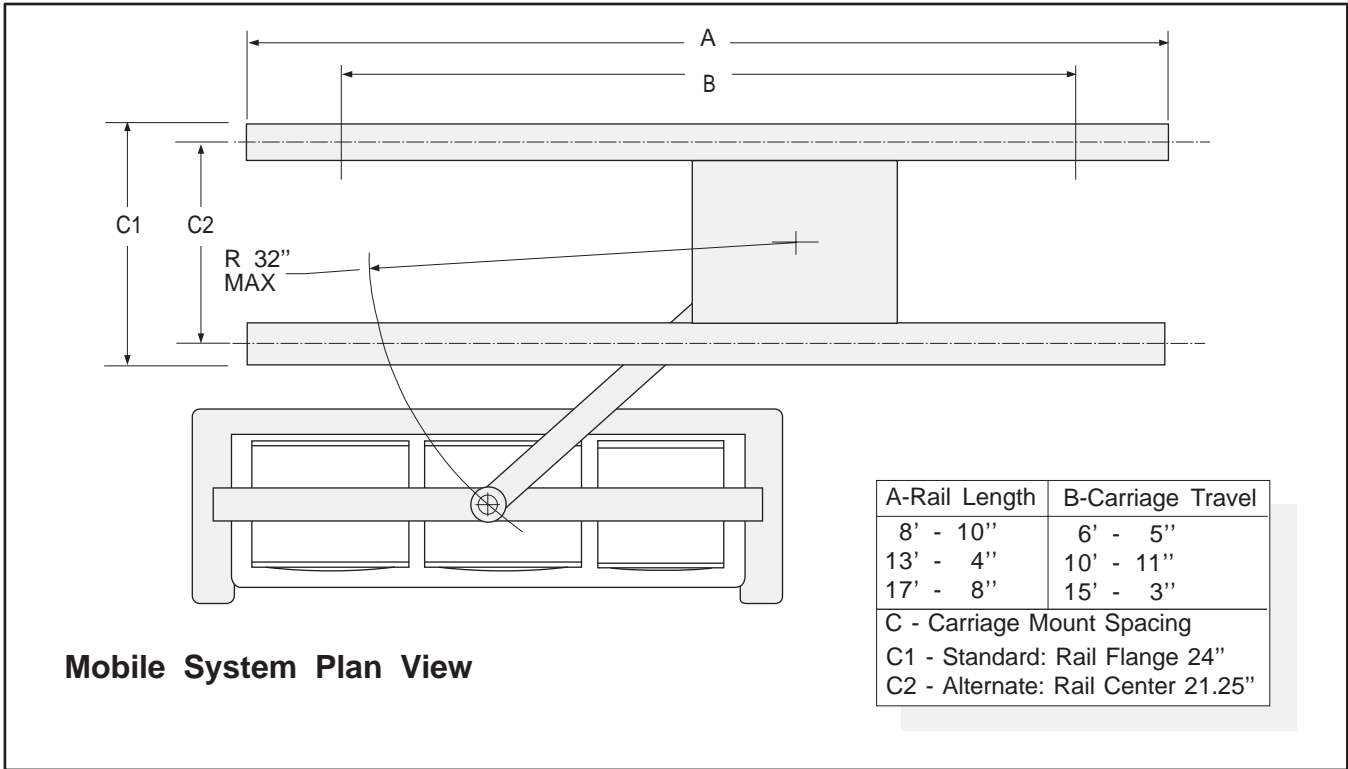


Image Diagnostics, Inc. reserves the right to update product specifications without notification, as required.
www.imagediagnostics.com