

ID3000 Suspension System Series



Manufacturers of Quality Medical Products

ID3300

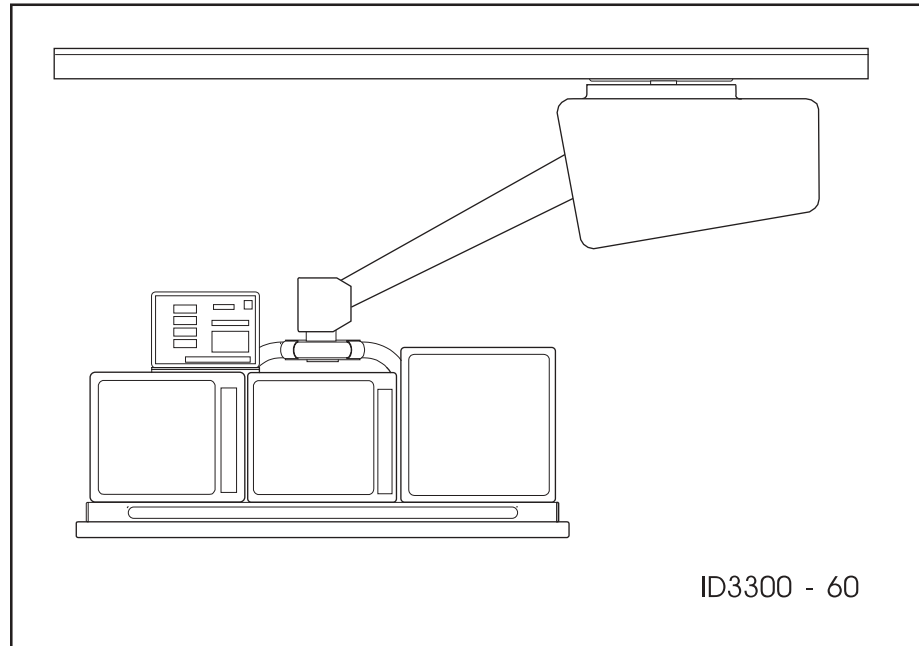
PRODUCT DATA

Package Includes:

- Two 8'-10" anodized aluminum ceiling rails; clip-mounted
- Mobile gantry
- Swing arm:
44" sweep radius;
±180° rotation
- 19.5" motorized vertical travel with remote control
- ±130° rotating monitor mount
- Tray capacity:
60" wide x 210#
- Readout bracket
- Hardened epoxy enamel painted surface

Enhancements:

- 13' - 4" or 17' - 8" ceiling rails
- X-Y rail adapter with 6' - 8" bridge rails
- Bi-level tray capacity:
41"/41" wide x 280#,
41"/60" wide x 350#,
60"/60" wide x 375#
- Cable carrier kits



ID3300 Monitor Suspension Systems

The ID3300 is engineered for maximum monitor viewing and positioning ease during cardio-vascular lab applications. It features a rotating swing arm with motorized vertical travel, controlled by a remote pendant. Cable routing from gantry to monitor is internal. The ID3300 rotating monitor mount has an optional readout bracket. The open-ended tray design enhances monitor capacity options.

The mobile suspension includes 8'-10" clip-mounted ceiling rails. Clip-mounted rails eliminate the need for measuring and drilling, reducing installation time and effort. The ID3300 is easily integrated into existing systems.

Enhancements include: bi-level monitor mounts, extended length ceiling rails, X-Y bridge systems and cable carrier kits.

ID3300 Mobile Track-mounted Suspension Systems

ID3300-60L	60"w	x	21"h	x	210# capacity
ID3300-41/41BL	41/41"w	x	21/21"h	x	280# capacity
ID3300-41/60BL	41/60"w	x	21/21"h	x	350# capacity
ID3300-60BL	60/60"w	x	21/21"h	x	375# capacity

NOTE: capacity at yoke mounting points- top tray 18 3/4"w x 16 3/8"h; bottom tray 18 3/4"w x 21"h; at bracket mounting point- 17"h.

ID3300 Monitor Suspension Systems

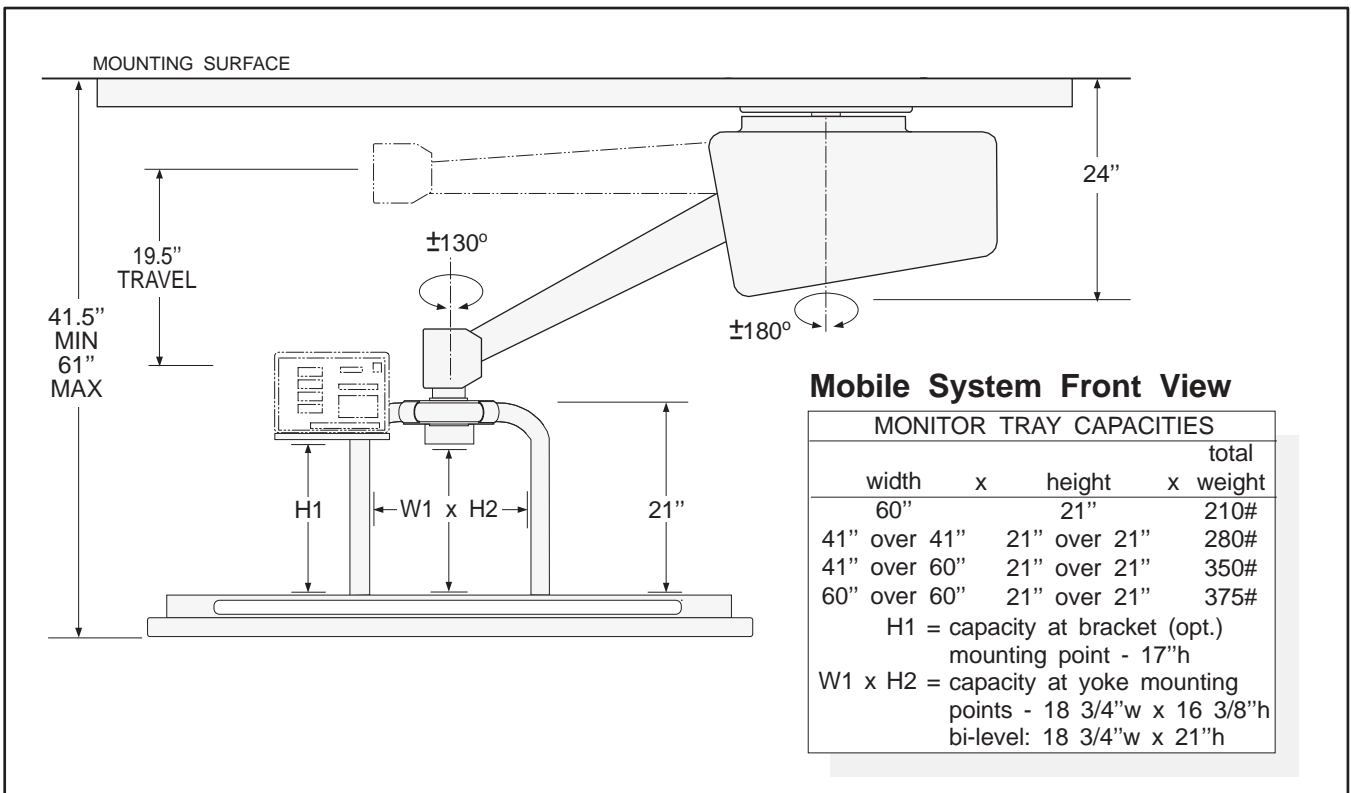
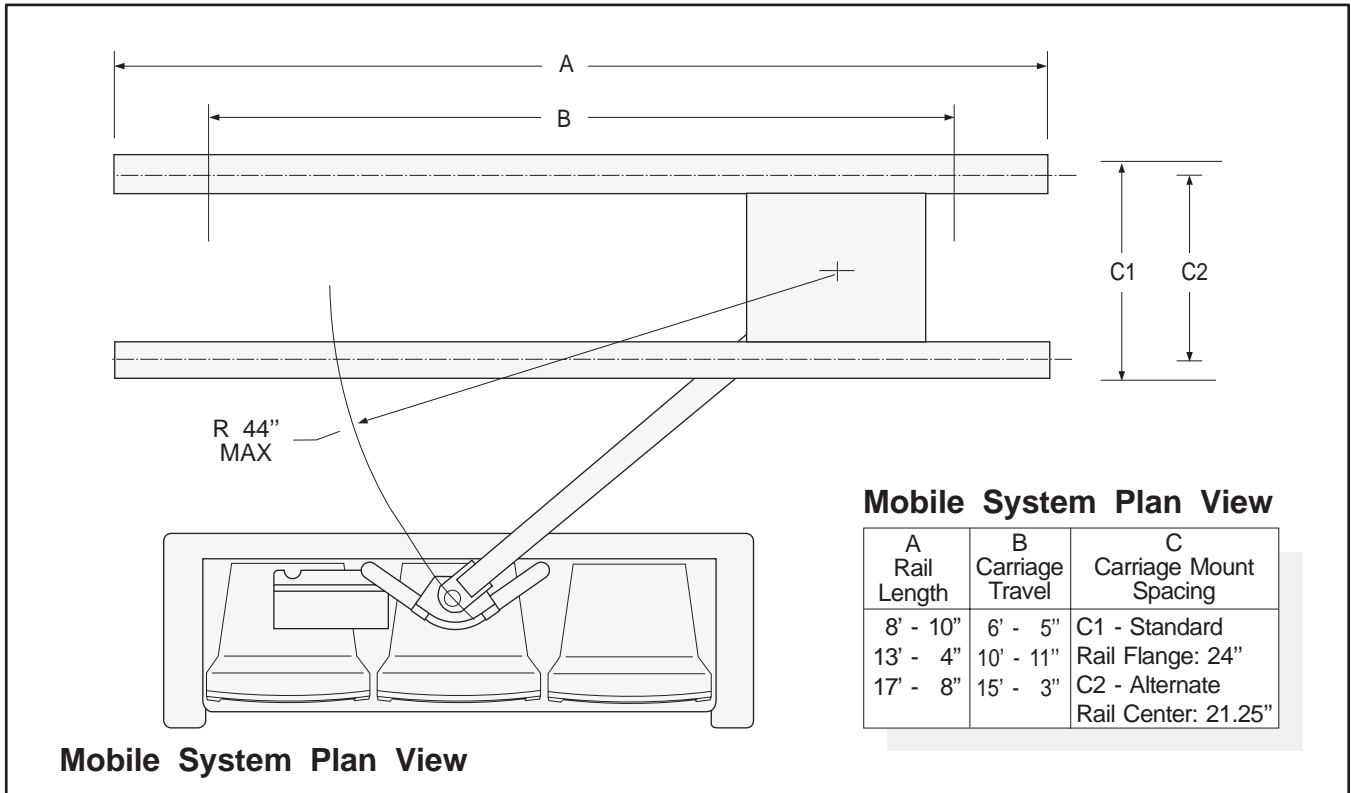


Image Diagnostics, Inc. reserves the right to update product specifications without notification, as required.
www.imagediagnostics.com

3300