

# ilex<sub>55</sub>

## Redefining Mobile Imaging A State-of-the-Art Display Solution for Vascular, GI and Neurosurgery

### The Challenges in Surgery:

High resolution imaging sources are proliferating within the surgical theater.

New standards of care require surgical procedures to incorporate a multitude of HD and UHD imaging modalities and display technologies in the OR.

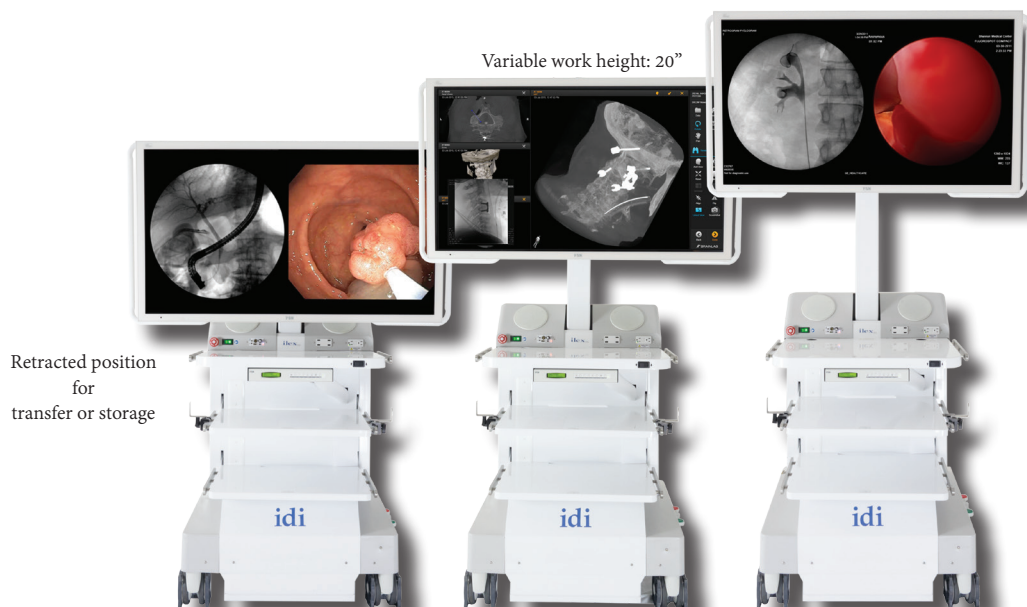
Provide long term display and image management solutions to meet the unexpected clinical requirements of tomorrow - upgrade - not outgrow.

Work within the architectural limitations of older or office based facilities.

### Discover the ilex 55 - by Image Diagnostics; the first mobile large field 4K UHD display solution with built in integration

The ilex 55 creates a state-of-the art mobile diagnostic platform to meet the imaging requirements of interventional procedures in hospital and office-based labs. With the ilex 55 less complex interventional procedures can be performed in any room without the cost associated with fixed integration.

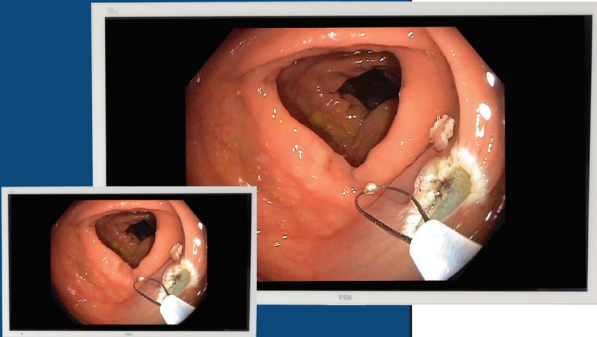
- 55" UHD 4K monitor with 12 bit processing and expanded color pallet.
- Display up to four 27" diagonal equivalent 1920 x 1080p HD images at one time.
- Bonded glass technology - spectacular black levels.
- Four times the pixels of an HD monitor - sharper images.
- Reduces the need for magnification - dose reduction with less eye strain.
- Physician endorsements "Safer, more precise visualization of anatomy as well as guide wires, stents."
- Intelligent image management - customize and manage image sources.
- Easy to install, configure, or upgrade.



**idi**  
Image Diagnostics, Inc.  
Redefining Mobile Imaging

# ilex 55 Specifications

See what you've been missing



Side by side comparison  
55" UHD vs 27" HD

## Overview

- Accepts analog and digital signals from multiple sources including: C-Arm, ultrasound, hemodynamics, microscopes, cameras, image guidance, & PACS
- 55" (140cm) 4K ultra-high resolution medical grade monitor
- Simultaneous display of 1, 2 or 4 images
- Motorized column with 20" (50 cm) vertical travel
- Three equipment shelves with wireway access to medical grade isolation transformer and power strip
- Remote control video formatting
- Bluetooth speaker system
- Built in USB charging station

## Stand

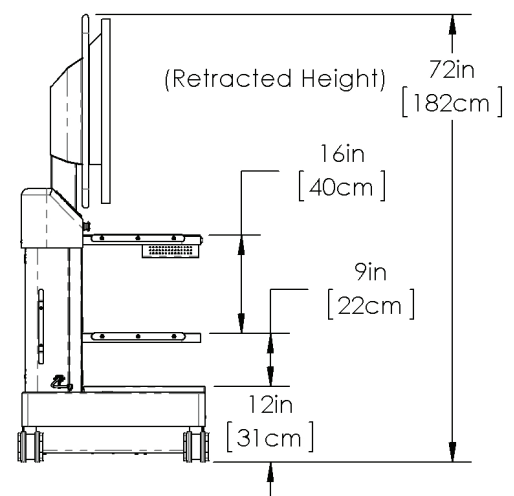
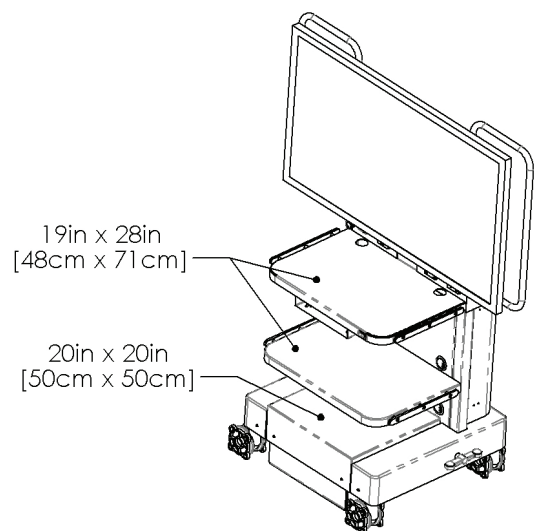
- 5" casters (125mm) with three position locking system for easy transport and positioning
- 20" (50 cm) motorized vertical travel
- Video input ports: (5) DVI, (2) SDI, (5) VGA, (2) SOG, (4) S video, (Display port/HDMI inputs can be routed through DVI)
- Bluetooth speaker system

## Monitor

- 55" (140cm) TFT LCD (LED)
- 4K resolution, 3840 x 2160 pixels
- Aspect: 16:9
- Contrast ratio - 1400:1
- Response - 5ms
- Pixel Pitch .315 x .315mm
- Bonded glass construction

## Options

- DVR video recorder
- Paper printer
- Router with tablet controller
- Articulating arm
- Accessory baskets



## Image Diagnostics

Since 1986, IDI has been a manufacturer of unique and innovative products for surgical, diagnostic and interventional imaging.

IDI is committed to superior product design, value and customer support in everything we do.

Image Diagnostics, Inc.

310 Authority Drive  
Fitchburg, MA, 01420 USA  
Toll free: 877-304-5434  
Tel: 978-829-0009  
Fax: 978-829-0027  
www.imagediagnostics.com

Product specifications are  
subject to change.



A veteran-owned company

D000-1989  
3-2017