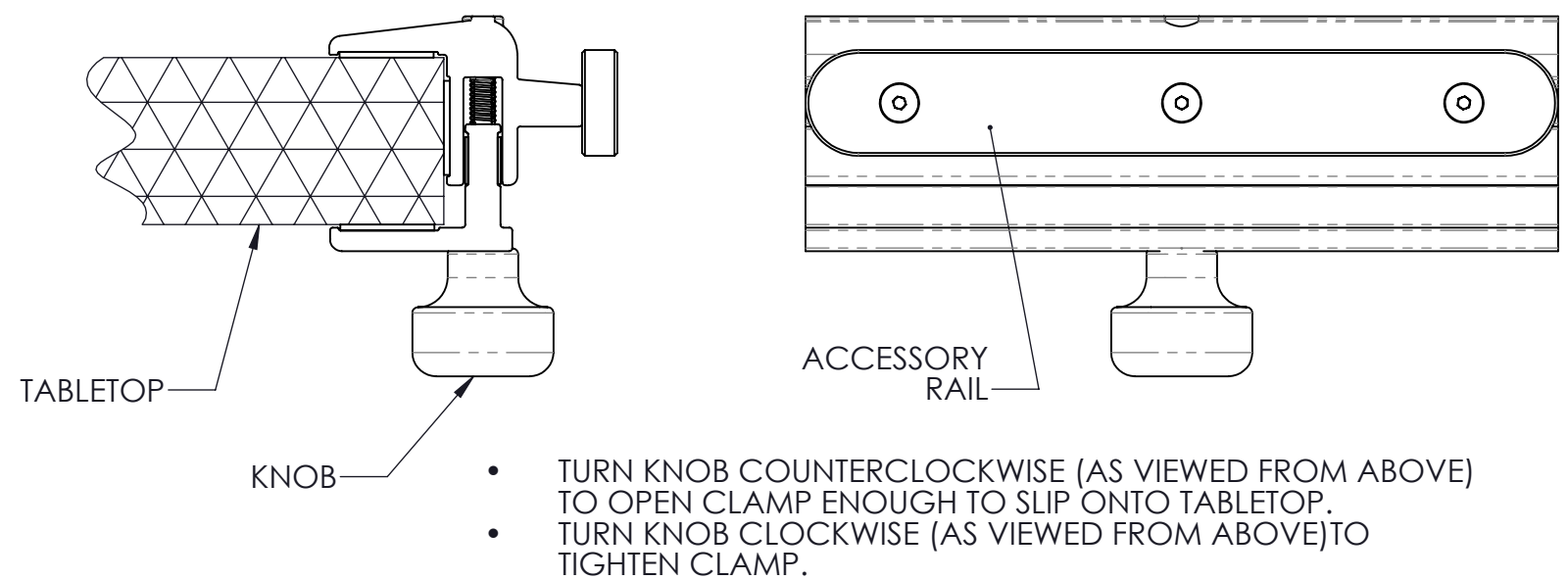
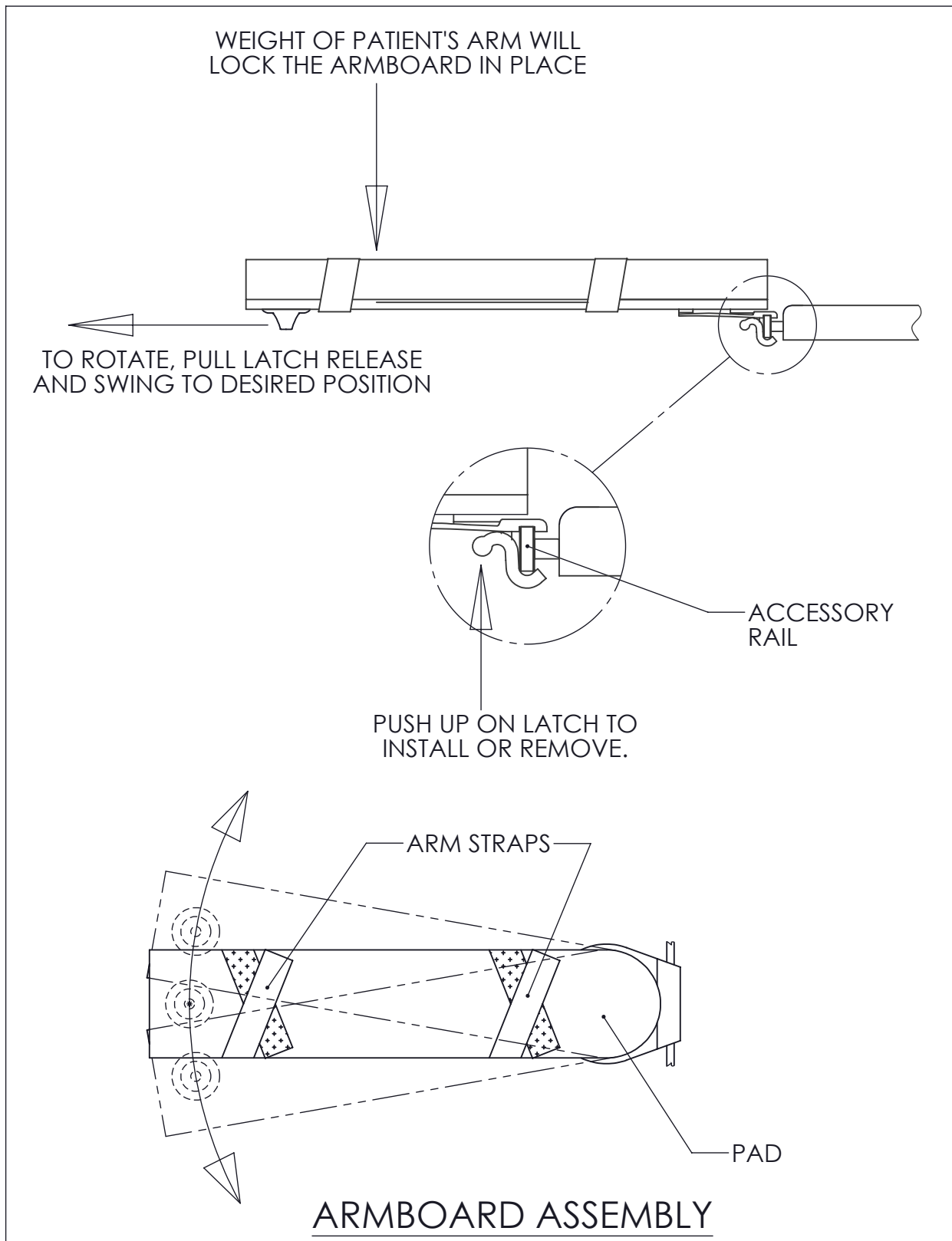


REVISIONS				
REV.	ECO	DESCRIPTION	BY	DATE
A	-	NEW ARMBOARD	ARL	04/13/11
B	407	UPDATE VIEW OF CLAMP-ON RAIL	MDL	2/19/2015



ARMBOARD ASSEMBLY
FITS 1-1/2" AND 1-3/4" THICK TABLETOPS

WARNING
 25 LBS (11 kg)
 MAXIMUM LOAD

- NOTES:**
- CLAMP-ON RAIL ACCESSORY (FITS LEFT OR RIGHT SIDE) PART NUMBER: A100-1007.
 - ARMBOARD WITH PAD AND 2 STRAPS (FITS LEFT OR RIGHT SIDE) PART NUMBER: A310-056.
- REPLACEMENT PARTS:**
- ARMBOARD PAD PART NUMBER: X100-1053.
 - ARMBOARD STRAPS (SOLD IN PAIRS) PART NUMBER: C000-0455.

THIS DRAWING AND ALL INFORMATION CONTAINED HEREIN IS THE PROPERTY OF IMAGE DIAGNOSTICS, INC. AND IS NOT TO BE DISCLOSED, REPRODUCED OR USED FOR MANUFACTURE WITHOUT ITS PRIOR WRITTEN AUTHORITY		TITLE INSTRUCTIONS, ARMBOARD AND CLAMP ON RAIL	
Copyright © 2/19/15 IDI		MATERIAL	
TOLERANCES UNLESS OTHERWISE SPECIFIED FRACTION = ± 1/32 DECIMAL .XX = ± .01 DECIMAL .XXX = ± .005 ANGULAR = ± 1°		REF: ARMBD C000-0767	
DRAWN BY MDL		NEXT LEVEL	
APPROVED BY GAC		DATE 2/19/15	
Image Diagnostics Inc. idi		Sheet 1 of 1 SCALE NONE	
310 Authority Drive Fitchburg, MA 01420		SIZE DWG NO B D100-1167	
		REV B	