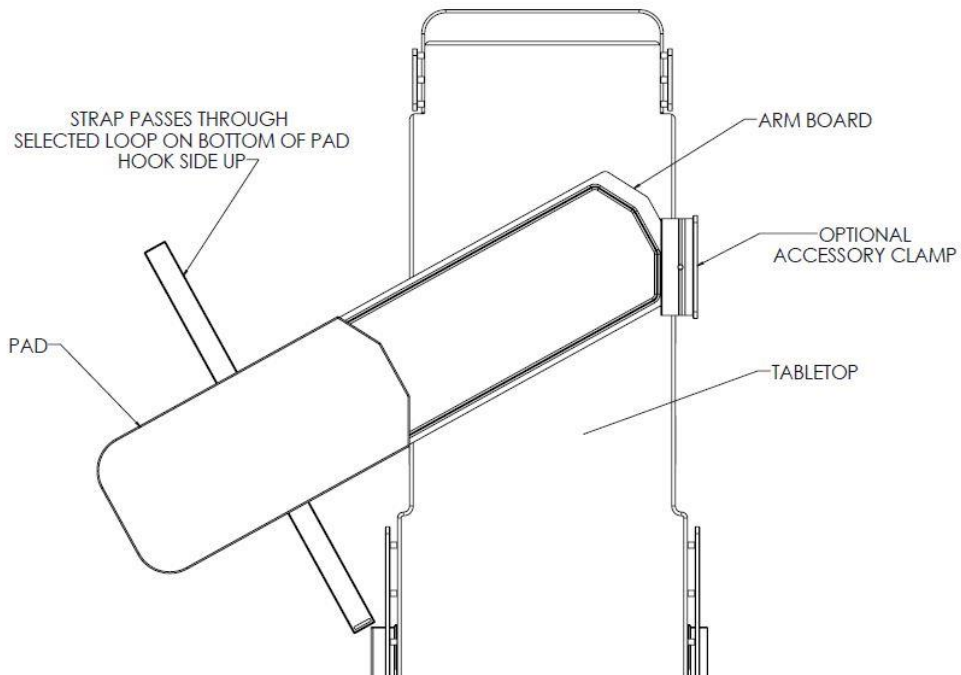


Low-Profile Vascular Armboard Instructions

idi



ARMBOARD SLIPS UNDER TABLETOP PATIENT PAD (IF EQUIPPED)
ROTATE ARMBOARD AS NEEDED



WARNING!
25 LBS (11 kg) Maximum Load.

Patient VAB Armboard with Pad & Restraint Strap

1 3/4" thick pad for use with 2" thick tabletop pad

Part Number A100-2244

Replacement 1-3/4" Armboard Pad

Part Number X100-2243

Replacement Armboard Strap

Part Number C000-0709