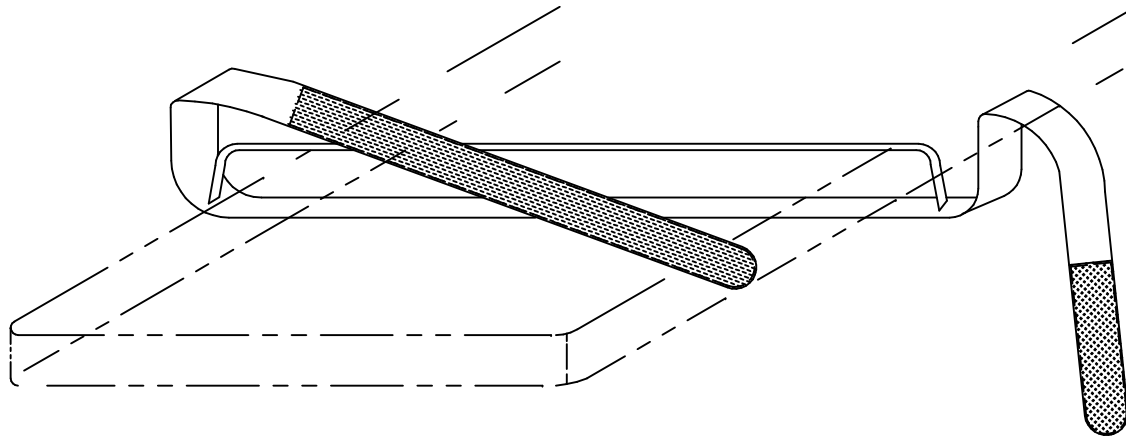



REV	DESCRIPTION	BY	DATE
-----	-------------	----	------



SLIDE THE RESTRAINT STRAP OVER THE END OF THE TABLETOP WITH THE SMALL RETAINING STRIP OVER THE TOP SURFACE OF THE TABLETOP.

THIS DRAWING AND ALL INFORMATION CONTAINED HEREIN IS THE PROPERTY OF IMAGE DIAGNOSTICS, INC. AND IS NOT TO BE DISCLOSED, REPRODUCED OR USED FOR MANUFACTURE WITHOUT ITS PRIOR WRITTEN AUTHORITY Copyright © 04-11-02 IDI		TITLE PATIENT RESTRAINT STRAP SET INSTRUCTIONS		
TOLERANCES UNLESS OTHERWISE SPECIFIED FRACTION = ± 1/32 DECIMAL .XX = ± .01 DECIMAL .XXX = ± .005 ANGULAR = ± 1°	DRAWN BY A. LaBRACK	MATERIAL C000-0328	NEXT LEVEL	
	APPROVED BY _____ DATE _____	SHEET 1 OF 1 SCALE NONE	REV	
Image Diagnostics Inc.  98 Pratt's Junction Rd. • Sterling, MA 01564		SIZE A	DWG NO D100-1039	C