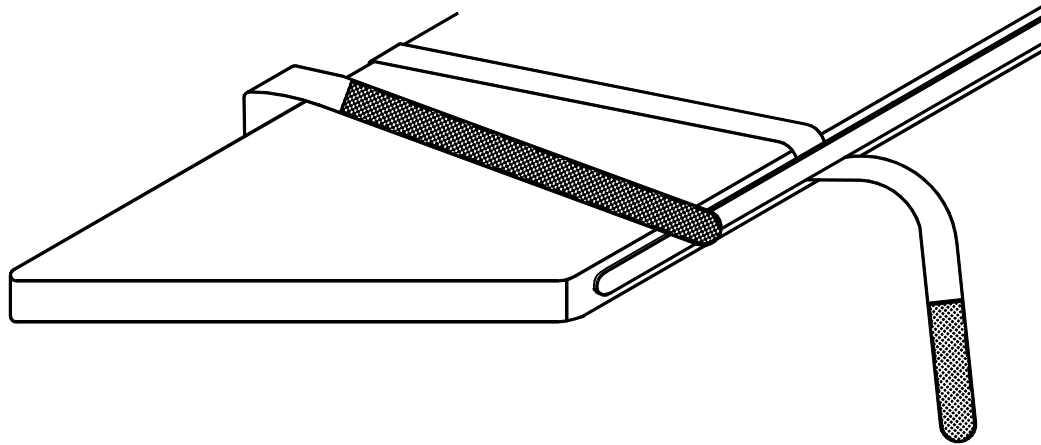



| REV | DESCRIPTION | BY | DATE |
|-----|-------------|----|------|
|-----|-------------|----|------|



SLIDE THE RESTRAINT STRAPS OVER THE TABLETOP AND THROUGH THE SPACES BETWEEN THE ACCESSORY RAILS AND THE TABLETOP.

| | | | | |
|---|-------------------------------|--|----------------------------|-------------------------|
| THIS DRAWING AND ALL INFORMATION CONTAINED HEREIN IS THE PROPERTY OF IMAGE DIAGNOSTICS, INC. AND IS NOT TO BE DISCLOSED, REPRODUCED OR USED FOR MANUFACTURE WITHOUT ITS PRIOR WRITTEN AUTHORITY Copyright © 08-23-13 IDI | | TITLE PATIENT RESTRAINT URO STRAP SET INSTRUCTIONS | | |
| TOLERANCES UNLESS OTHERWISE SPECIFIED FRACTION = ± 1/32 DECIMAL .XX = ± .01 DECIMAL .XXX = ± .005 ANGULAR = ± 1° | DRAWN BY A. LaBRACK | MATERIAL C000-0571 STRAPS (3 INCH, QTY 2) | NEXT LEVEL | |
| | APPROVED BY RJR | | | DATE 08-23-13 |
| Image Diagnostics Inc.  98 Pratt's Junction Rd. • Sterling, MA 01564 | | SHEET 1 OF 1 | SCALE NONE | |
| | | SIZE A | DWG NO D100-2427 | REV A |