

Aspect 100UC Plus Q-CARD

idi

Image Diagnostics, Inc.



WARNING! Read operator manual prior to use

SETUP/PATIENT PREPARATION:

Moving table:

- 1) Unlock front and rear casters.
- 2) Position table to desired location.
- 3) Secure table mobility by locking front and rear casters.

AC Power:

- 1) Plug power cord into properly grounded outlet.
- 2) Protect power cord from damage by casters or other equipment.

Controls:

- 1) Emergency Stop Pushbutton disables all tabletop motion control when engaged.
- 2) Ensure that hand and foot controls are connected to table.
- 3) If tabletop motion controls fail to operate, make sure that the Emergency Stop Pushbutton is NOT pushed in.
- 4) Actuate controls to ascertain that power is present and table movement functions properly.

EMERGENCY PROCEDURES:

Stop Tabletop motion:

- Press Emergency Stop Pushbutton until it is fully engaged.

AC Failure:

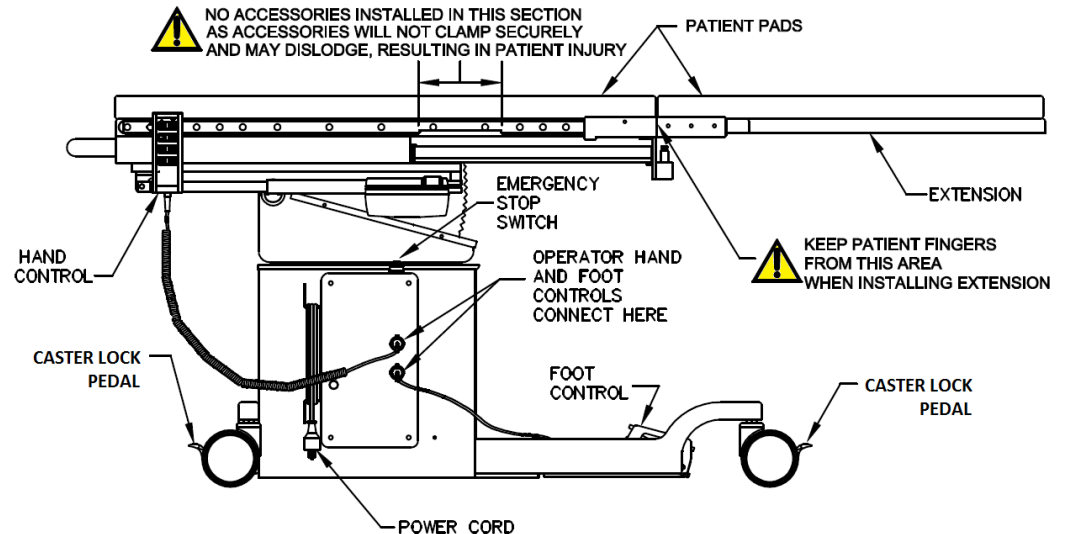
- Internal battery allows tabletop motions to function. Return tabletop to proper position to unload patient.



CPR:

Return table to level, center tabletop to minimize overhang and lower table position to a comfortable height to perform CPR.

THE NARROW SECTION ON EACH ACCESSORY RAIL MAY ALLOW STIRRUP CLAMPS TO BE INSTALLED OR REMOVED WITHOUT HAVING TO SLIDE CLAMP TO THE END OF ACCESSORY RAIL.



CLEANING AND STORAGE:

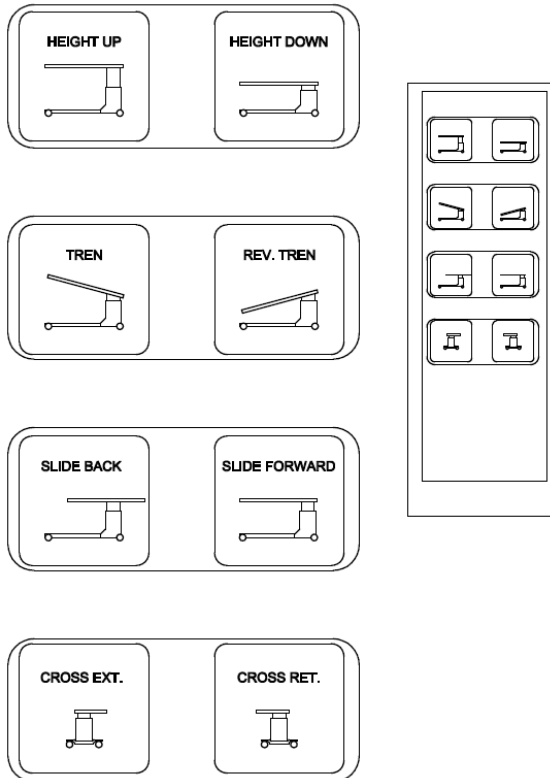
- 1) Unplug power cord and wrap it around the cord holder.
- 2) Push in Emergency Stop Pushbutton.
- 3) Set caster lock pedals to LOCK position.
- 4) Clean and disinfect table.



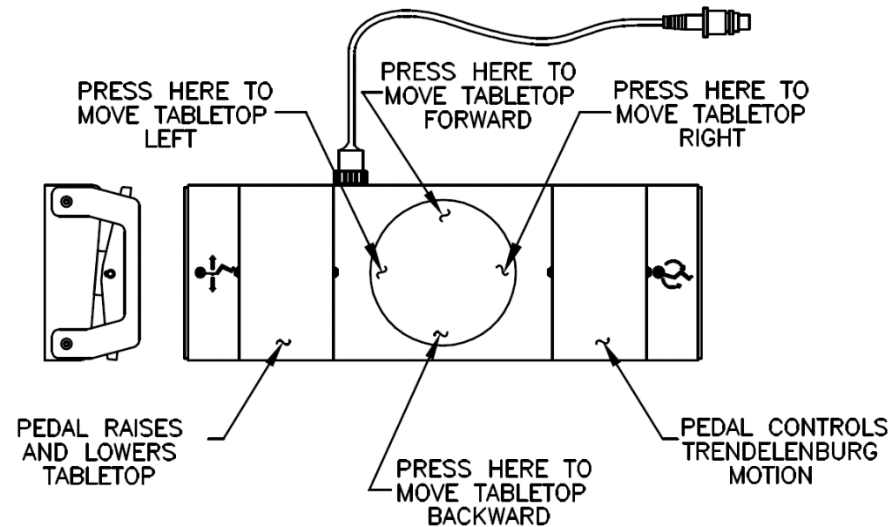
Scan to
Access
User
Manuals
Online

Aspect 100UC Plus Q-CARD

HAND CONTROL



FOOT CONTROL



**EMERGENCY
STOP
PUSHBUTTON**



- PUSH IN to stop **ALL** tabletop motion.
- TWIST to reset.

CONSUMABLES

- URO DRAIN BAGS (BOX OF 20)
IDI #C000-0593
- DISPOSABLE FOOT CONTROL COVERS (BOX OF 50)
IDI #C000-0492
- DISPOSABLE TABLE TOP PAD COVERS (BOX OF 20)
IDI #C000-0645



Patients must be loaded from the side of table. Tilting or instability may occur if patient is loaded onto the pedestal end or imaging end of the table.