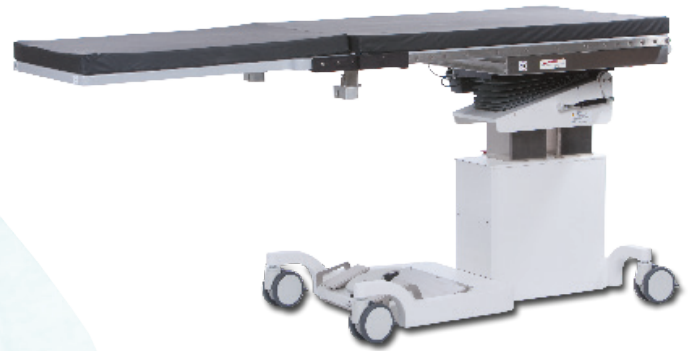


100UCPLUS

The market leading mobile table for Urology



Some accessories shown are optional



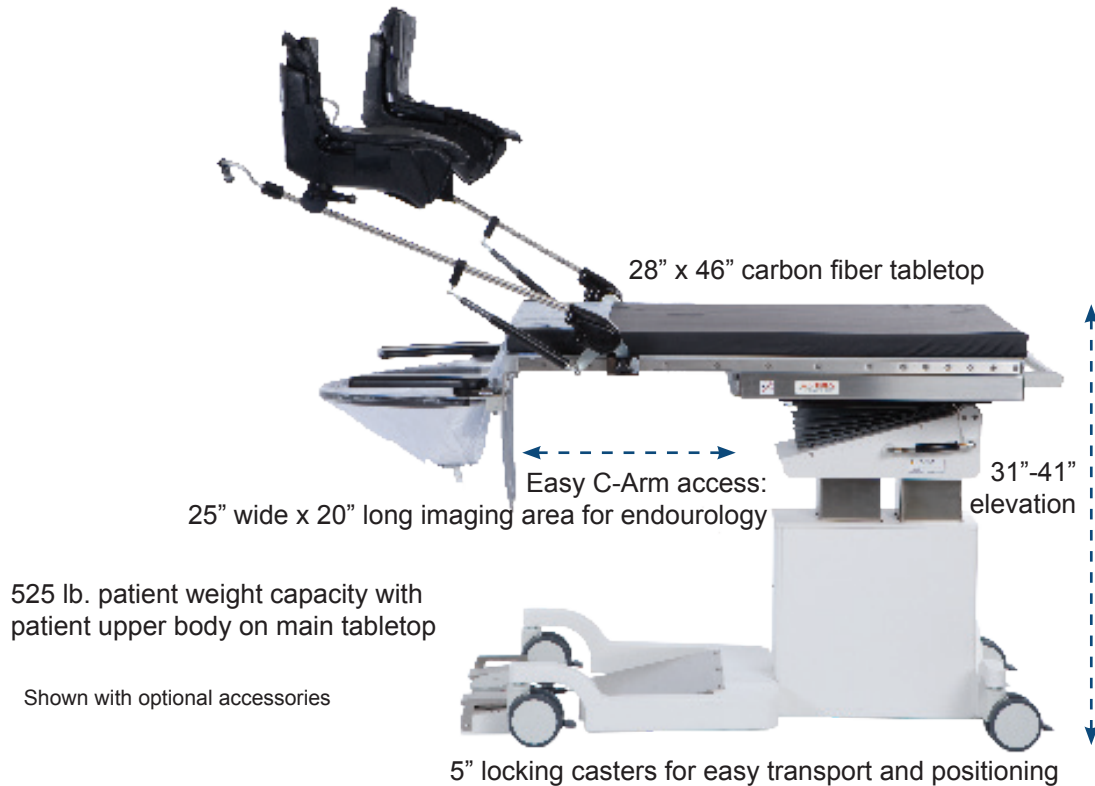
idi
imagediagnostics.com

INTELLIGENT DESIGN ► TANGIBLE OUTCOMES

100UCPLUS

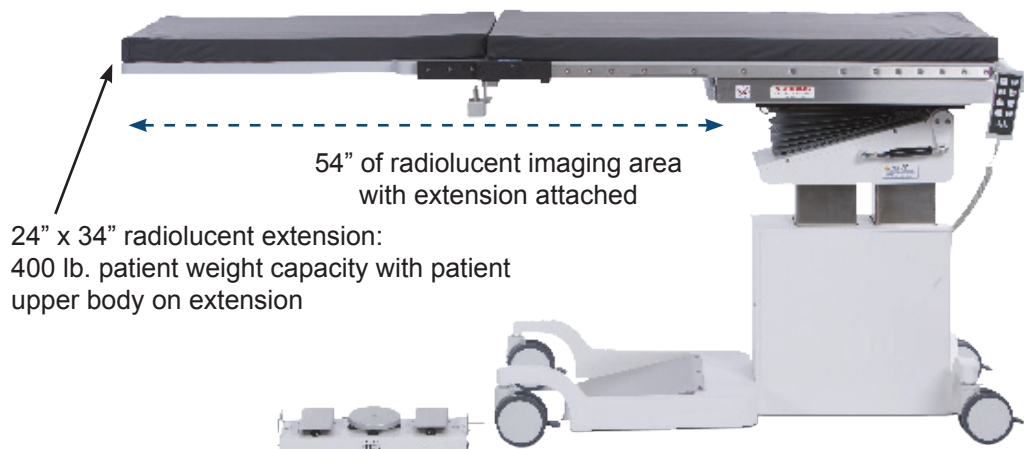
Patient Access & Comfort for endourology

The 100UCPlus provides a very large radiolucent imaging area for easy C-arm access and greater anatomical coverage. A 28" wide tabletop and 2" thick, specially constructed tabletop pad provide for minimal x-ray attenuation and maximum patient comfort.



Clinical Versatility and multipurpose use

Urological accessories are easily removable so the table can be quickly configured for multi-purpose C-arm imaging or general patient positioning for non-urological procedures.



100UCPLUS

Motorized elevation, trendelenburg tilt and 4-way tabletop movement



Lightweight, radiolucent tabletop extension



Trendelenburg: $\pm 15^\circ$



Longitudinal tabletop travel: 10"



Transverse travel: $\pm 3.5"$, 7" total

Standard Features



Metal-free perineal end of table: unobstructed imaging access to edge of tabletop.



Built-in transport handle



Built-in footswitch storage tray



Removable, collapsible drain bag support (Elbow rests are optional)



Removable lead-vinyl x-ray shield



Pendant hand control and footswitch control



Quick-release armboard

100UCPLUS

Specifications

Image Diagnostics

Since 1986, IDI has been a manufacturer of innovative products for surgical, interventional and diagnostic imaging.

Our product focus is in electro-mechanical solutions for fluoroscopic and digital radiographic applications.

IDI is committed to superior product design, value and customer support in everything we do.

Table dimensions, components and features:

- Low X-ray attenuation carbon fiber tabletop 28"W x 46"L (71 x 117 cm)
- Includes 2" (5 cm) thick memory foam table pad for both primary top and extension.
- Lightweight carbon fiber extension: 24"W x 34"L (61 x 86 cm)
- Radiolucent, lightweight tabletop extension: 24"W x 34"L (61 x 86 cm)
- Built-in footswitch storage tray in base
- Standard US side-rails for accessory attachments on main tabletop
- Metal-free perineal end of tabletop for unobstructed imaging access to edge of table during fluoroscopy
- Locking swivel casters, 5" (12.7 cm), and built-in transport handle

Table movements:

- Motorized motions via hand control pendant and foot switch control
- Elevation: 31.3" – 41.1" (79.4 – 104.4 cm)
- Trendelenburg Tilt: $\pm 15^\circ$
- Longitudinal tabletop travel: 10" (25.4 cm)
- Transverse tabletop travel: $\pm 3.5"$, 7" total (± 8.9 cm, 17.8 cm total)

Imaging area:

- Imaging area, main tabletop: 25"W x 20"L (63.5 x 50.8 cm)
- Imaging area, tabletop extension: 24"W x 34"L (61 x 86 cm)
- Total radiolucent imaging area length with extension: 54" (137 cm)

Patient weight capacity:

- With patient upper body on main tabletop: 525 lbs. (238 kg)
- With patient upper body on extension: 400 lbs. (181 kg)
- Load capacity on extension only: 200 lbs. (90.7 kg)

Electrical:

- 115 VAC, 60 Hz operation (230 VAC operation optional). ≤ 10 amp @ 115V.

Table & Extension Weight:

- Table: 670 lbs. (304 kg)
- Tabletop Extension: 16 lbs. (7.25 kg)

Accessories included:

- Tabletop Pad, 2" thick
- Tabletop Extension, with 2" thick pad
- Hand control pendant & footswitch control
- Removable Drain Bag Support Hoop
- Disposable drain bag and hose ass'y, box of 20
- Removable Radiation Shield Flap for perineal end of table
- Patient Restraint Straps (2)
- Armboard, rail mounted, with pad and strap
- Disposable covers for footswitch, box of 50

Optional Accessories (not included in standard accessory package):

- Urologist elbow supports, removable
- Boot-style legholders with pneumatic-assist adjustment.

Note: Table compatible with other legholders that have a standard US side-rail attachment.



Image Diagnostics, Inc. 310 Authority Drive Fitchburg, MA 01420 Tel: 978-829-0009
A veteran-owned company since 1986. Designed and manufactured in the U.S.
Image Diagnostics, Inc. reserves the right to update product specifications without notification.
Warranty information for IDI products is available upon request from Image Diagnostics, Inc.
L100-3072B

