

Smarter Practico

Surgical Table



INTELLIGENT DESIGN ▶ **TANGIBLE OUTCOMES**

idi
imagediagnostics.com

TABLE OF CONTENTS

	Pages
FEATURES & BENEFITS	4 & 5
ORTHOPEDIC SURGERY	6
ORTHOPEDIC SHOULDER SURGERY	7
MINIMALLY INVASIVE SURGERY	8
OPHTHALMIC SURGERY	9
EAR, NOSE, AND THROAT SURGERY	10
PLASTIC SURGERY	11
GYNECOLOGY AND UROLOGY SURGERY	12
SPINAL SURGERY	13
OBSTETRIC SURGERY	14
TABLE RANGES AND MOTIONS	15
SPECIFICATIONS	16



The Smarter Practico surgical table is brought to you through a partnership between Image Diagnostics, Inc. and Merivaara Corp.



Follow us on
Twitter and LinkedIn!





Build
the table
you need.

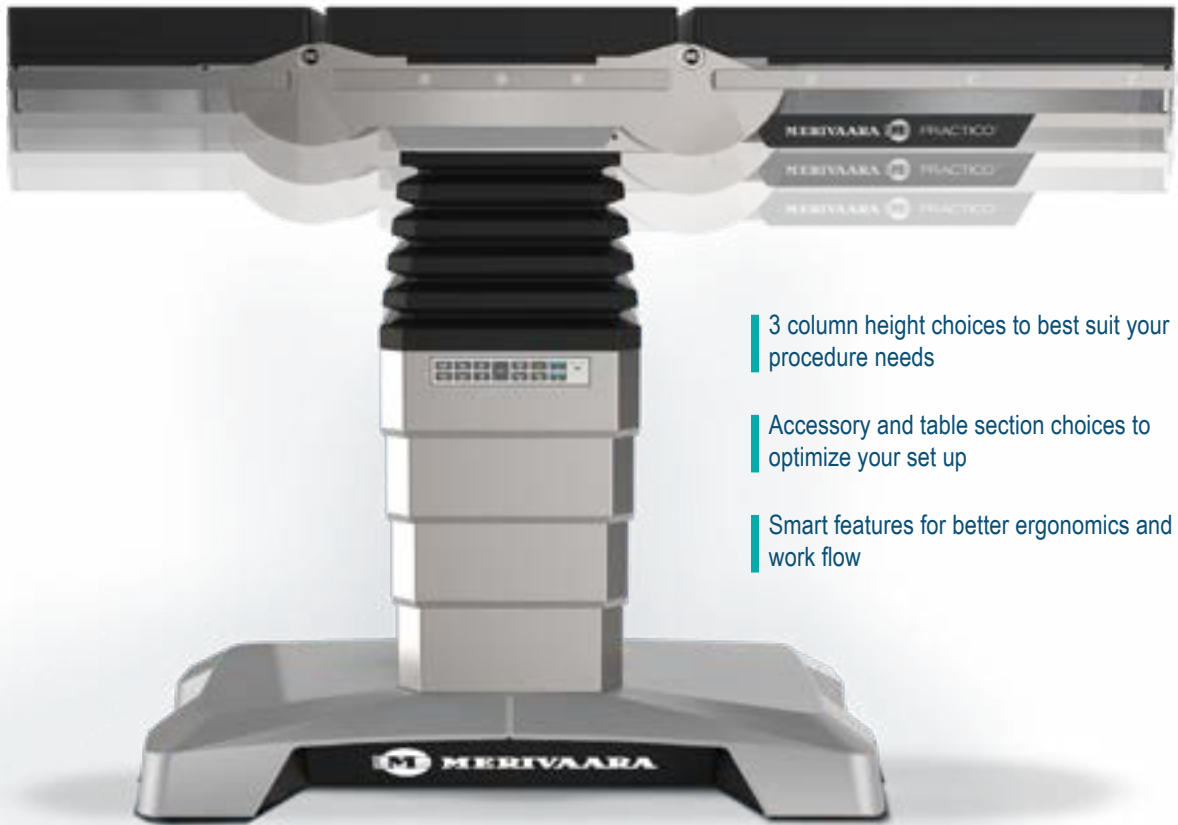


image **diagnostics**.com
978-829-0009

INTELLIGENT DESIGN
▶ TANGIBLE OUTCOMES

SMARTER PRACTICO

ENDLESS POSSIBILITIES



3 column height choices to best suit your procedure needs

Accessory and table section choices to optimize your set up

Smart features for better ergonomics and work flow

Highlights

Improved features let you focus on the task at hand while superior ergonomic design improves the comfort of the whole surgical team.

Comfort leads to concentration, confidence, and better co-operation. That's efficiency.



BENEFITS OF SMARTER PRACTICO



1. ENHANCED ERGONOMICS

- Three Column Height Choices
MAX High Column - 25.2" to 44.5" (640mm to 1130mm)
MAX Low Column - 21.3" to 40.6" (540mm to 1030mm)
General Column - 23.0" to 34.8" (585mm to 885mm)
- Highly adaptable and customizable
- Ergonomic features for both the surgical team and the patient



2. HIGHLY ADAPTABLE

- Up to 617 lbs. (280 kg) in all directions including slide
- Suitable for bariatric surgery with vast range of accessories
- Lifting capacity 1010 lbs. (460 kg)



3. EASY ACCESSIBILITY

- The low height of the base allows 360 degree C-Arm access
- The curved base design allows for the surgeon to gain closer access to the patient.
- 390 mm longitudinal slide allows for more C-arm accessibility making X-Ray and Fluoroscopic imaging possible



4. SMART HAND CONTROL

- Easy-to-use interface
- Fluent design and comfortable to hold
- Quick memory functions
- Endoscopic mode ensures safe and easy use in a low light environment
- Convenient battery health indicator
- Backlit display for use in darkened rooms



5. SMART MOVEMENTS

- The smart control system of the table recognizes potential mechanical collision situations.
- Multiple anti-collision adjustments, e.g. during deep Trendelenburg.
- Control system automatically performs correct compensative movements to allow for safe and smooth adjustments.

ORTHOPEDIC SURGERY

In orthopedic surgery, Smarter Practico is the flexible solution for any operating room performing elective orthopedic surgical procedures. Thanks to its extensive height adjustment range, Smarter Practico is the ergonomic solution for the OR.



HIP SURGERY

Smarter Practico table heights improve ergonomics for short or tall staff, standing or sitting.

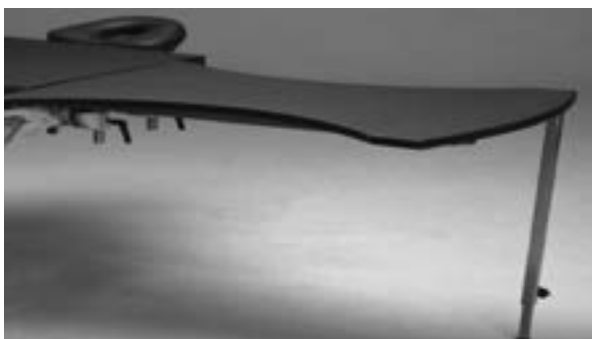


KNEE SURGERY

The Max Hi Smarter Practico height advantage and non-obstructive base design allow for closer, more comfortable access to the surgical site, even for tall personnel.

APPLICATIONS:

- Hip surgery
- Knee surgery
- Foot and ankle surgery
- Hand surgery
- Femur / tibia surgery
- Elbow / humerus surgery



Hand operating table



Humerus Traction Kit

ORTHOPEDIC SHOULDER SURGERY

The Smarter Practico for orthopedics is the flexible solution for any operating room performing shoulder orthopedic procedures. The beach chair section allows for easy access to the surgical field. Smarter Practico offers an extensive height adjustment range creating the perfect ergonomic solution in the OR.



FULL ACCESS TO THE SHOULDER AREA

The large cutout of the beach chair provides excellent surgical access.



EXCEPTIONAL PATIENT POSITIONING

Fluid movement is ensured because of the Smarter Practico's smart control system.

The back section cutout allows for a greater access to the shoulder area and for improved patient arm movements.



SECURED POSITIONING

The beach chair support belt ensures the safe positioning of the patient without obstructing the surgical area.



USER FRIENDLY

The smart locking mechanism enables quick release of the removable back section cutout.



Beach chair helmet head rest



Multi-task armboard

MINIMALLY INVASIVE SURGERY

Smarter Practico for minimally invasive surgery (MIS) is the flexible solution for the operating room.



EASY ACCESS



BARIATRIC



MAX LOW COLUMN

Thee Smarter Practico table provides excellent ergonomic working positions.



Compatibility with mobile C-arms

Intraoperative imaging is easy and flexible with Smarter Practico due to the fluid design.

APPLICATION EXAMPLES:

- Laparoscopy
- Bariatric surgery
- Tonsillectomy
- Appendectomy
- Cancer surgery
- Laparotomy
- Plastic surgery



*Smarter Practico accessories
can be found in the
Smarter Practico Accessory catalog*

OPHTHALMIC SURGERY

Smarter Practico for ophthalmics – ergonomics at its best.
Thanks to extensive height adjustment range, Smarter Practico is suitable for personnel of all heights.

Memory positions provide efficiency for repetitive operations.

The mattress is supportive and comfortable for the patient.



More support for the patient

More space for the surgeon to work

LOWEST ON THE MARKET

Smarter Practico's ultimate low height of 21.3" (540 mm) makes it the perfect choice in the OR. Merivaara offers a vast range of ophthalmic head sections ensuring close proximity to the operating area. The streamlined base ensures foot space for the surgeon.

APPLICATION EXAMPLES:

- Cataract surgery
- Glaucoma surgery
- Refractive surgery
- Corneal surgery
- Vitreo-retinal surgery
- Extraocular muscle surgery
- Oculoplastic surgery



Arm rest



ENT-surgery head rest

EAR, NOSE, AND THROAT SURGERY

Smarter Practico's max low can also be utilized for ENT surgical procedures.



SPECIAL EYE-ENT BACK SECTION AND HEAD REST

- Allows for closer proximity to the patient
- Ergonomic for both the patient and end user
- Ensures stability
- ENT head rests offer excellent articulation

APPLICATION EXAMPLES:

- Tonsilectomy
- Ear surgery
- ENT oncology
- Functional endoscopic sinus
- Septoplasty
- Rhinoplasty



Narrow headrest



ENT-ophthalmology head rest

PLASTIC SURGERY

Smarter Practico for plastics is the flexible solution for any operating room performing plastic surgery. Thanks to the extensive height adjustment range, Smarter Practico is suitable for personnel of all heights.

MAX LOW COLUMN

The table is easily reachable for the patients and gives excellent ergonomics for the surgeons while seated

FLUENT ACCESSIBILITY

New design gives more room for surgeon's legs



APPLICATION EXAMPLES:

- Breast Enhancement: Augmentation, Lift, Reduction, Reconstruction
- Facial Contouring: Rhinoplasty, Chin, or Cheek Enhancement
- Facial Rejuvenation: Facelift, Eyelid Lift, Neck Lift, Brow Lift
- Body Contouring: Tummy Tuck, Liposuction, Gynecomastia Treatment
- Scar Revision Surgery



Arm rest



Head rest

GYNECOLOGY AND UROLOGY

Smarter Practico is the flexible solution for any operating room performing gynecological and urological procedures. Thanks to the extensive height adjustment range, Smarter Practico is suitable for personnel of all heights.

GYNECOLOGICAL SURGERY



EXCELLENT ACCESS AND QUICK RE-POSITIONING

Due to the extensive height adjustment, Smarter Practico is the ergonomic solution for all gynecological applications. The quick memory function makes the re-positioning easy.

UNOBSTRUCTED IMAGING

The extensive slide function allows for easier access for imaging equipment.

UROLOGICAL SURGERY



UNCOMPROMISED ACCESS FOR THE SURGEON

Thanks to the slide function the table top can be slid toward the surgeon allowing for more ergonomic access to the operating field.

"The surgeon's access is excellent. And the longitudinal slide is a very good option in gynecological and urological procedures."

Operating Room Technician

APPLICATION EXAMPLES:

- Endometriosis surgery
- Surgery for depression of uterus and vaginal walls
- Uterine scraping
- Treatment of uterine muscle tumors (myoma treatment)
- Hysterectomy
- Hydroponic removal
- Prostate laser surgery
- Scrotum surgery
- Seed Removal (Sperm)
- Bladder Vision (Cystoscopy)



COMFORTFIN™ Stirrups

Provides unparalleled pelvic site access, larger boot sizing and better infection control.



Collapsible Drain Bag

SPINAL SURGERY

Smarter Practico is the perfect solution for the spinal applications with its extensive height adjustment range.

SPINAL FLOATING SYSTEM

Smarter Practico's cost-effective table top platform fits all standard operating tables. The frame is fully radiolucent and the body supports allow the abdomen to hang freely to reduce venal pressure.



MAX HI AND MAX LO

Improved ergonomics for personnel of all heights.

FLUID C-ARM ACCESS

Allowing intraoperative imaging due to its frame design.



The Table design makes C-arm imaging easy

APPLICATION EXAMPLES:

- Laminectomy
- Discectomy
- Spinal Fusion
- Vertebroplasty/Kyphoplasty

Compatibility with C-arm

The Smarter Practico and its accessories allow for easy C-arm access.

OTHER SPINAL SOLUTIONS



Prone position Mattress set

Spine frame



OBSTETRICAL SURGERY

Smarter Practico is the flexible solution for the obstetrical OR. Its anticollision feature allows for the table to Trendelenburg without risk of collision with the floor. The low height removes the need for a step making the patient transfer smoother and safer.

The operating table is so low that pregnant mothers can easily sit on it.



MAX HI AND MAX LO

Improved ergonomics for personnel of all heights.

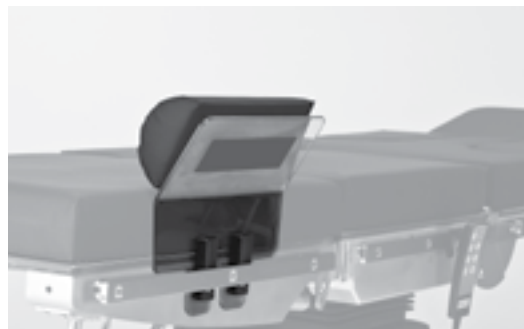
APPLICATION EXAMPLES

- Caesarian surgery
- Episiotomy
- Colporrhaphy
- Colpotomy



COMFORTFIN™ Stirrups

Provides unparalleled pelvic site access, larger boot sizing and better infection control.



Arm-leg shield

TABLE RANGES AND MOTIONS

MAXIMUM HEIGHT*



*MAX HIGH Column

MINIMUM HEIGHT**



**MAX LOW Column

MOTORIZED LEG AND BACK SECTIONS



TILT ANGLE



TRENDELENBURG ANGLE



TOP SLIDE LEG 10.25" (260 MM)



TOP SLIDE HEAD 5" (127 MM)



SMARTER PRACTICO SPECIFICATIONS

FEATURES	SLIDE MOTORIZED LEG SECTION	NO SLIDE MOTORIZED LEG SECTION
Trendelenburg angle	+/- 30°	+/- 30°
Tilt angle	+/- 20°	+/- 20°
Slide	15.6" / 390 mm	Not available
Back section angle	+70° / -40°	+70° / -40°
Motorized leg sections angle	+70° / -105°	+70° / -105°
Practico max low height	21.3" to 40.6" 540 mm to 1,030 mm	21.8" to 41.1" 553 mm to 1,043 mm
Practico max high height	25.2" to 44.5" 640 mm to 1,130 mm	25.7" to 45" 653 mm to 1,143 mm
Practico general height	23" to 34.8" 585 mm to 885 mm	23.5" to 35.4" 598 mm to 898 mm
Table top width	21.3" / 540 mm	21.3" / 540 mm
Number of table top sections	4 to 6	4 to 6
Mechanical strength, IEC 60601-2-46	1,358 lbs / 616 kg	1,358 lbs / 616 kg
Lifting capacity	1,012 lbs / 460 kg	1,012 lbs / 460 kg
Number of memory positions	1	1
Fifth wheel option	Optional	Optional
Mattress type	VEF 3" / 80 mm	VEF 3" / 80 mm
Electronic floor locking	Standard	Standard
Battery operated (Li ion)	Standard	Standard
Beach chair back section	Optional	Optional
Eye-ENT back section compatibility	Optional	Optional

INTELLIGENT DESIGN
▶ TANGIBLE OUTCOMES



imageDiagnostics.com
978-829-0009

L100-3626 REV B