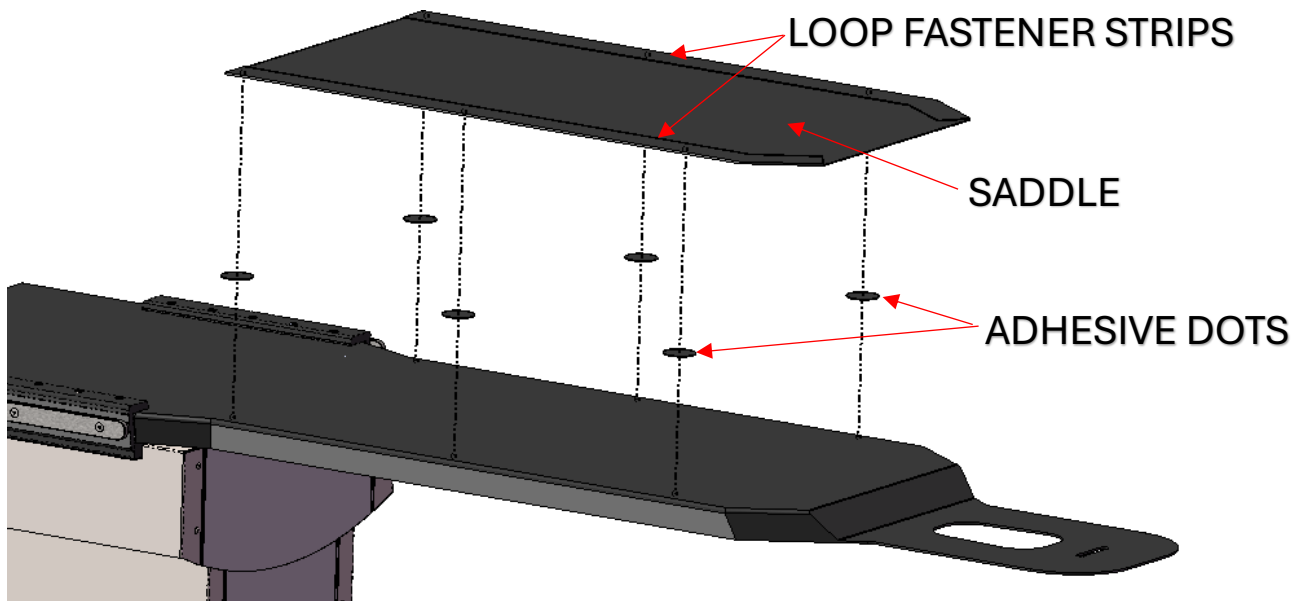


INSTALLATION INSTRUCTIONS FOR ISO-DRIVE FACIAL CUT OUT SADDLE STYLE RADIATION
SCATTER SHIELD (0.5mm PbEq)

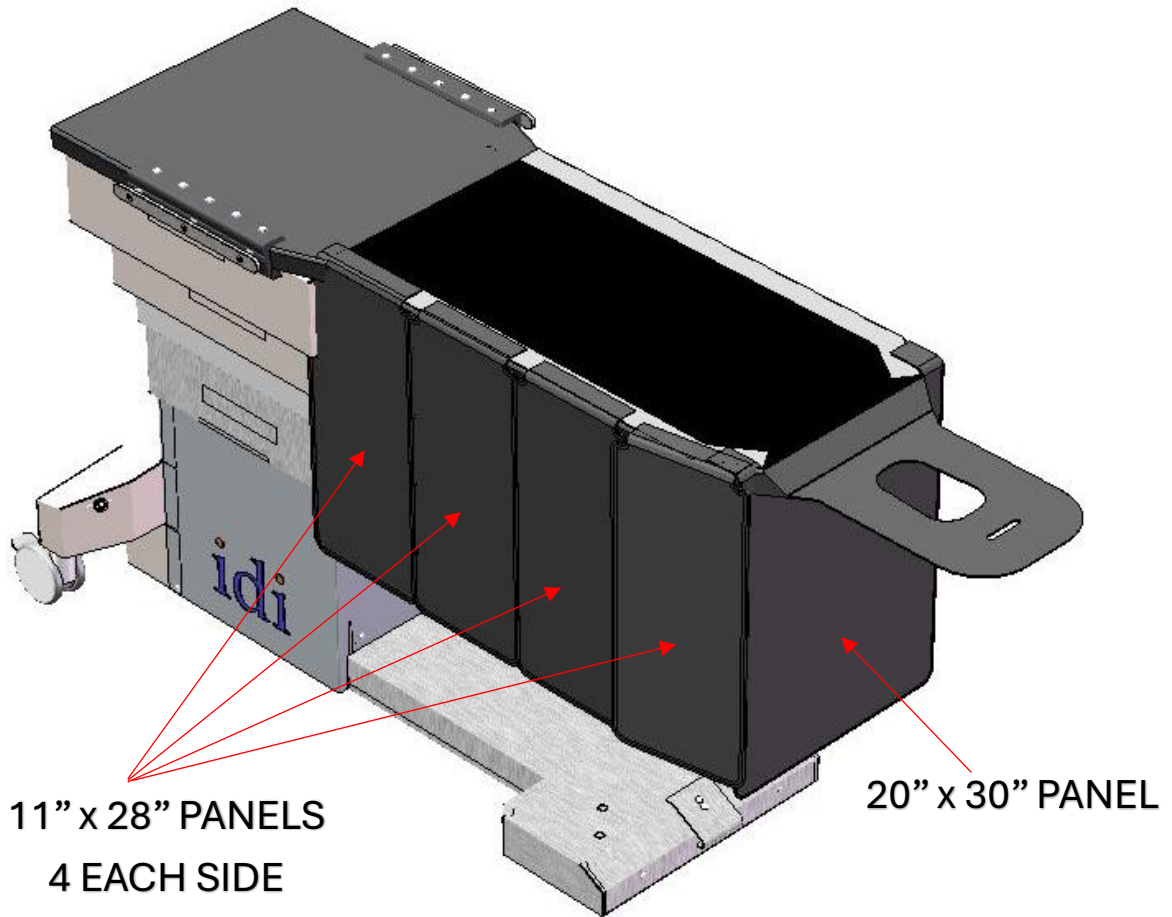
Note: Individual shields have hook fasteners that are engaged into the loop fasteners of the saddle. Shields will overlap as shown below and individual shields may be omitted if they obstruct any equipment as long as all radiation safety precautions are observed.

Step A: Place the saddle with the loop fastener strips side “up” on the tabletop (The adhesive dots supplied with the Saddle kit may be applied to hold the saddle in place.



Step B: Attach 20" X 30" panel at the end of the tabletop under the facial cutout of the tabletop & centered as shown below.

Step C: Finish by attaching eight 11" panels along the side of the tabletop.



CUSTOMER SUPPORT:

For technical assistance, call IDI on (978)829-0009 and press 1.
Image Diagnostics, Inc.
310 Authority Drive
Fitchburg, MA 01420



PARTS LIST FOR RADIATION SHIELD ASSEMBLY A610-0407

Image Diagnostics Part Number

Part Number	Description	Quantity per Assembly
C000-0463	VELCRO®, DOT, HOOK	6
C000-0464	VELCRO®, DOT, LOOP	6
Z610-090	RADIATION SHIELD, 11 x 28 PANEL	8
Z610-0392	SADDLE ASSEMBLY, ISO-DRIVE FOR FACIAL CUTOOUT TABLETOP	1
Z610-0393	RADIATION SHIELD, BLACK, 20 x 30 PANEL	1



WARNING!

The protective material in the aprons is fragile. Care must be taken in handling and storage. Do not fold, crease or drape over sharp corners. Hand it carefully since misuse may cause damage

Please accept your responsibility to radiograph the aprons periodically to assure that no damage has occurred to lessen the protective qualities.



WARNING!

Radiation shields require careful handling and periodic testing for safe use. Test upon receipt and at regular intervals to ensure shielding integrity.



IDI imaging tables are designed to provide excellent fluoroscopic imaging access with mobile C-arms. Whenever the table is used for procedures involving the use of a mobile C-arm, or any other equipment that produces ionizing radiation, all radiation safety standards and precautions should be applied, including but not limited to proper use of X-ray protective shielding for patients, operators, and support personnel.