

Smarter Practico

Surgical Table

ACCESSORIES CATALOG



INTELLIGENT DESIGN ▶ TANGIBLE OUTCOMES

idi
image [diagnostics.com](http://imageiagnostics.com)



idi
imagediagnostics.com

 MERIVAARA

Operating table accessories represented in this brochure are manufactured or distributed by Image Diagnostics Inc. in partnership with Merivaara.

This comprehensive selection of accessories are designed to complement the Merivaara Smarter Practico operating table in a variety of surgical procedures.

When these high-quality accessories are equipped, the Smarter Practico is also suitable for a variety of specialized procedures. Safe and easy to personalize, the ergonomic Smarter Practico ensures a smooth surgical process with less time demands.

All materials used have been carefully selected. The soft, body conforming surfaces provide comfort and safety for the patient, as well as meeting surgical requirements.



Find us on LinkedIn:

[Image Diagnostics, Inc.](#)
[Merivaara Corp.](#)

CLAMPS



SNAP-ON BLADE CLAMP

C100-3043

Accommodates a blade-style accessory post. Quickly snaps onto rail, push button to release clamp. Mounts and locks anywhere on standard OR table rail. Prevents false rail engagement. Autoclavable.



SNAP-ON SOCKET

C000-0746

Accommodates a round accessory post. Quickly snaps onto rail and pull bottom lever to release. Mounts and locks anywhere on standard OR table rail. Lithotomy wheel for accessory angle adjustments. Autoclavable.

SMARTER PRACTICO TABLE PADS COMPLY WITH THE FOLLOWING REGULATIONS:

- ▶ Fire retardancy
- ▶ Conductivity/antistatic
- ▶ Systemic toxicity ISO 10993/11
- ▶ Irritation & sensitization ISO 10993/10
- ▶ Fully Latex-free

Visco-elastic foam (VEF) with premium patient comfort against decubitus ulcers. Surface material is ultrasonically welded to prevent fluid penetration.

CALL IDI FOR SMARTER PRACTICO TABLE PAD ORDERS

Telephone: 978-829-0009

HEAD RESTS



HEAD REST

MER-100000141

All purpose head rest for wide range of surgical applications

- ▶ Size: 540 x 300 x 80 mm (21.3 x 11.8 x 3.2")



HEAD REST

MER-100060142

Double articulated gas spring assisted head rest with side rails. Perfect for lateral positioning of the patient. Helps with spinal alignment.

- ▶ Size: 540 x 300 x 80mm (21.3 x 12 x 3.1")
- ▶ Includes accessory rails



ENT-OPHTHALMOLOGY HEAD REST

MER-100018150

Double vertical articulation narrow head rest, perfect for ophthalmic surgical procedures.

- ▶ Size: 225 x 290 x 60 mm (8.9 x 11.4 x 2.4")



HEAD REST ADAPTER

MER-10060146

Adapter for for fixing special head rests, e.g. 18150 for Ophthalmology, using Doro/Mayfield Cranial Positioning System.

ARM & HAND RESTS



ARM REST

MER-AB2110

Padded arm rest including fixed clamp and strap, adjustable height and angle (ball joint). Easy to use with one lever on back side.

- ▶ Size: 160 x 605 x 30 mm (6.3 x 24 x 1.2")

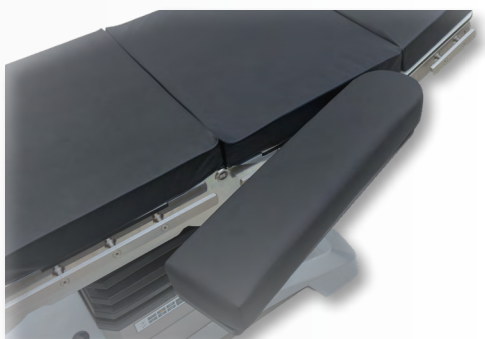


ARM REST

MER-AB2210

Padded arm rest with adjustable height and angle (ball joint). Easy to operate and adjust by one lever. Arm board rotates 180°

- ▶ Size: 170 x 620 x 30 mm (6.7 x 24.4 x 1.2")



ARMBOARD

C310-074

Quick-release, rail mounted armboard with 3" pad.



MULTI-TASK ARMBOARD

MER-110802

Arm rest provides arm support for prone, neuro, lateral and chair positions. A wide range of position flexibility, turns 360° and is height adjustable.

- ▶ Size: 150 x 510 x 30 mm (5.9 x 20.1 x 1.2")



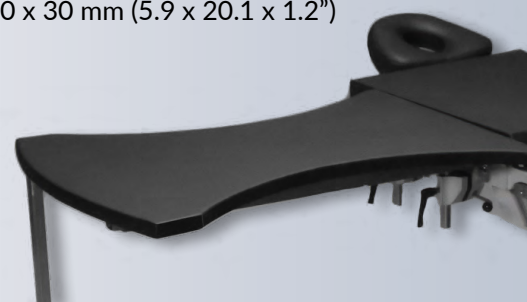
Support leg

ARM & HAND TABLE

MER-100912

Radiolucent top. End rail provided for traction attachment. Mounts to side rail with 2 include clamps.

- ▶ One support leg, which offers height adjustment from 830 mm (32.7") to 1320 mm (52")
- ▶ Size of table: 360 x 810 x 35 mm (14.2 x 31.9 x 1.4")



HAND OPERATING TABLE

MER-110390

Special shaped radiolucent hand operating table with one support leg. Curved design allows for the surgeon to get closer to the operating table without needing to lean forward.

- ▶ Size: 850 x 520 x 30 mm (33.5 x 20.5 1.2")
- ▶ Includes pad and clamps

ORTHO/SPINE



SPINAL FLOAT SYSTEM

MER-CSM-2715-G

The Spinal floating System is a versatile and cost-effective table-top platform that can be easily fitted to any standard operating table. The weight capacity of 250 kg enables patients to be safely positioned for a wide range of spinal procedures.

INCLUDES:

- ▶ CS Spine Frame
- ▶ CS Spine Frame Straps (set of 4)
- ▶ CS Prone Head Support System
- ▶ CS Comfort Chest Support - Standard
- ▶ CS Comfort Hip Supports - Standard (pair)
- ▶ CS Comfort Skin Shin Support
- ▶ CS Knee Ring (pair)
- ▶ CS Pad (2")
- ▶ CS Prone Face Cushion (box of 10)
- ▶ CS Comfort Covers 3 Piece Set (box of 6 Sets)

DISPOSABLES



CS PRONE FACE CUSHION

CSM-2510

- ▶ Box of 10 cushions



CS COMFORT COVERS - 30MM

CSM-2606-I

- ▶ 3-Piece Set, Box of 6 Sets



CS CARBON SPINE EXTENSION

MER-CSM-2730

Provides patient positioning and imaging capabilities comparable to that of a specialist dual-rail spine table.

- ▶ Improved efficiency - simply remove the extension to return the table for standard use.
- ▶ Economically superior compared to purchasing a full spine table.



CURVE SPINE FRAME

C000-1750

Provides maximum lordosis for Laminectomy, Decompression, Disc Surgery and Microdiscectomy procedures.

- ▶ Includes hand crank. Patient supports are adjustable to fit different patient sizes.
- ▶ Maximum patient weight capacity: 272 kg (600lbs)

ORTHOPEDICS



ORTHOPEDIC EXTENSION DEVICE

MER-100019300

Orthopedic Extension Device.

INCLUDES:

- ▶ Extension bars (2 pieces)
- ▶ Support feet for extension bars (2 pieces)
- ▶ Screw tensioners (2 pieces)
- ▶ Traction boots - Adult (2 pieces)
- ▶ Pelvic support with pad (1 piece)
- ▶ Perineal post with pad (1 piece)
- ▶ EG plates #19348 for supporting legs during anaesthesia



CART FOR ORTHOPEDIC EXTENSION DEVICE 100019300

MER-100019285



ARTHOSCOPIC STRESS POST

MER-110530

A levering fulcrum for improved access to the medical compartment of the knee. Mounts to the accessory rail.

- ▶ Pad size = 210 x 90 mm (8.3 x 3.5")
- ▶ Height adjustment = 59 - 290 mm (2.3 x 11.4")
- ▶ Includes universal clamp



ARTHOSCOPIC LEG HOLDER

MER-110353

Knee positioning device for arthroscopy. Includes clamp.

- ▶ Requires radial clamp for fixing



TOTAL KNEE STABILIZER

MER-110585

Convenient, stable device to support flexed leg during total knee procedures.

- ▶ Includes pad and clamp

COMFORTFIN STIRRUPS

Unparalleled pelvic site access, larger boot sizing and better infection control



COMFORTFIN 350 STIRRUP PAIR

A100-2246

The IDI Comfortfin 350 stirrup is designed for patients with BMI of less than 29.

- ▶ Large flexible lateral fin supports patients up to 159 kg (350lb) weight capacity.



CLAMP

C100-3397

Compatible with
Comfortfin stirrups



COMFORTFIN 500 STIRRUP PAIR

A100-2247

The IDI Comfortfin 500 stirrup is designed for patients with a BMI greater than 29.

- ▶ Large flexible lateral fin allows for use with patients up to 227 kg (500lb) weight capacity



COMFORTFIN STIRRUP CART

C100-3044

- ▶ Base width: 549.3 mm x 549.3 mm (21.6 x 21.6")
- ▶ Cart height: 1035 mm (40.8")
- ▶ Easy to push and pull with ergonomic handles
- ▶ Secures stirrups to prevent damage
- ▶ Clamp storage compartment
- ▶ Safely holds most stirrups
- ▶ Locking casters

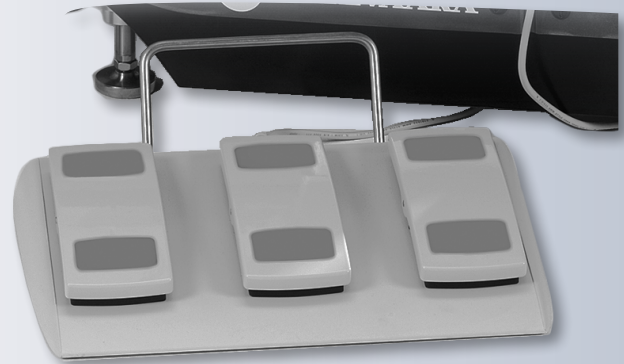


UROLOGY DRAIN BAG KIT

A100-3880

Urology Drain Bag Kit includes:

- ▶ Mounting Blocks
- ▶ Radiation shield
- ▶ Urology Hoop
- ▶ Box of 20 sterile bags (1 box of 20 bags)



FOOT CONTROL DEVICE

MER-100060850

Adjustments for Trendelenburg, height and side tilt.

- ▶ Size: 390 x 190 mm (15.4" x 7.5")



URO COLLECTION KIT - 15 LITER

C000-1307

Flexible plastic sided container expands into a cube as it collects waste fluid when floor drain or suction is unavailable. The Uro Collection Kit's internal baffle system fills the container evenly as powder converts liquid to gel. Its integrated valve system allows for shut off the flow of liquid from the drain bag in order to change the collection units.

- ▶ 15 liter capacity - Box of 10



DISPOSABLE DRAIN BAG WITH HOSE

SEE BELOW FOR PART # OPTIONS

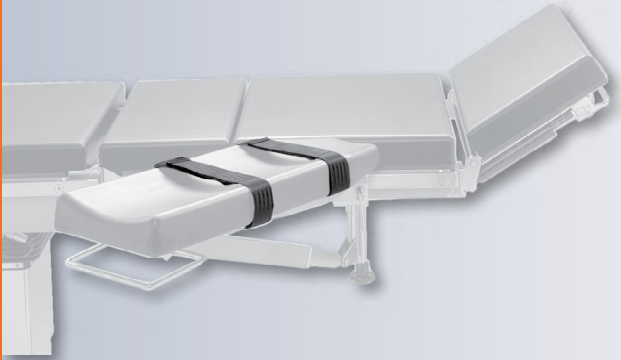
Sterile

- ▶ C000-0593

Non Sterile

- ▶ C000-1111

SUPPORTS & STRAPS



STRAP PAIR

C100-3464

Strap pair for arm rests

- ▶ Length: 800 mm (31")

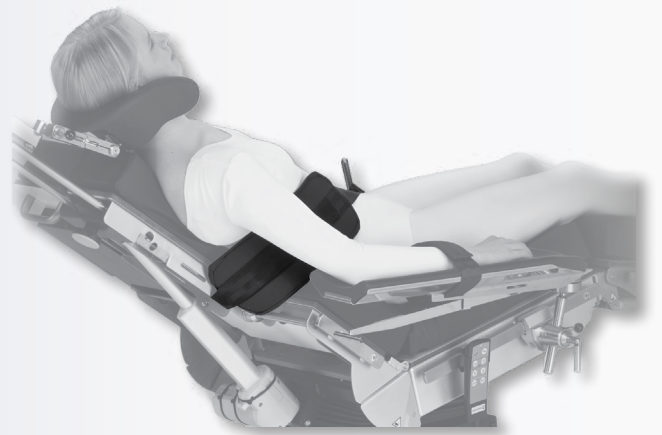


LEG BODY STRAP

A100-3731

Wide leg and body strap for safe patient positioning. Fix with velcro fastening.

- ▶ Total length: 2440 mm (96"). Length of strap: 1220 mm (48")
- ▶ Strap width: 46 mm (1.8")



BEACH CHAIR SUPPORT BELT

C100-3454

To support patient Beach Chair during operation. To be used with beach chair back section.

- ▶ Pad width: 140mm (5.5")
- ▶ Pad length: 370 mm (14.6")
- ▶ Strap width: 50 mm (2")
- ▶ Includes clamp & vertical support pole
- ▶ Height adjustment: 300 mm (12")

OTHER ACCESSORIES

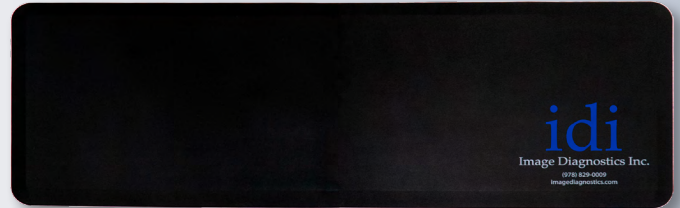


TABLE WIDTH EXTENDER

MER-100010659

Width extender for extending the width of the operating table for bariatric patients.

- ▶ Size: 500 x 105 mm (20 x 4.1")



HEAVY DUTY MEDICAL GRADE ANTI-FATIGUE MAT

C000-1181

IDI heavy duty anti-fatigue mat.

- One-piece construction for high-traffic areas.
 - Safe & non-toxic, contains no plasticizers and will not leach over time.
 - Durable brushed texture.
- ▶ Size: 610 x 1767 x 19 mm (24 x 66 x 3/4")



MULTIPURPOSE ACCESSORY CART

MER-100060220

For mobile storage and moving Merivaara operating table sections and accessories.

FEATURES:

- ▶ Width: 580 x 810 mm (22.8 x 31.9")
- ▶ Height: 1770 mm (69.7")
- ▶ Double-sided cart holds up to 12 sections
- ▶ 6 accessory rails enable variable accessory storage
- ▶ 2 baskets. Size: 590 x 300 x 150 mm (23.2 x 12 x 5.9")
- ▶ Baskets can be placed in 6 different locations
- ▶ Long sections can be placed in vertical position in two different locations

Why IDI?



INSTALLATION & TRAINING

We look good when you look good

Image Diagnostics provides table installation and image optimization for all products. Put your trust in a team that has completed more than 20,000 installs and clinical demonstrations since 1986.

DEPTH & BREADTH OF PRODUCTS

One call, one company; we have the OR & imaging products you need

Industry-leading value and quality throughout our portfolio; surgical and imaging tables, visualization products as well as x-ray shielding and surgical lighting.

SALES SUPPORT

From system quotation to final installation, we are with you every step of the way

For over 30 years Image Diagnostics has been delivering quality high-performance products with an equally high level of pre and post-sales support. Challenge us; our sales and technical support are second to none!

RELIABILITY

Intelligent Design ► Tangible Outcomes is more than just our slogan, it defines our approach to products

Image Diagnostics tables and visualization products are designed with both reliability AND ease of serviceability in mind. Eliminate costly & complex sub-systems by investing in our electro-mechanical and non-hydraulic systems. Our design approach keeps IDI equipment in service longer and reduces the overall cost of ownership.

INTELLIGENT DESIGN
► TANGIBLE OUTCOMES

idi
imagediagnostics.com



imagediagnostics.com

978-829-0009

L100-3630 REV B